

SF3305

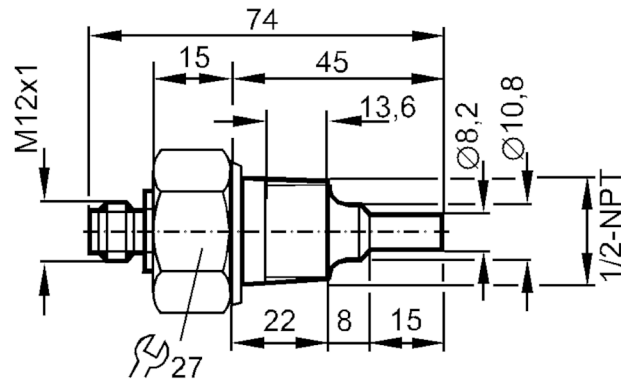


Flow sensor for connection to an evaluation unit

SFN12ADB/US-100

Article no longer available - archive entry

replaced by: SF5200 + E40107



Product characteristics

Process connection 1/2 NPT

Application

Application high pressure

Media Liquids; Gases

Medium temperature [°C] -25...80

Pressure rating [bar] 300

Liquids

Application high pressure

Medium temperature [°C] -25...80

Gases

Medium temperature [°C] -25...80

Electrical data

Connection to control monitor VS 0200

Measuring/setting range

Liquids

Setting range [cm/s] 3...300

Greatest sensitivity [cm/s] 3...60

Gases

Setting range [cm/s] 200...2000

Greatest sensitivity [cm/s] 200...800

Accuracy / deviations

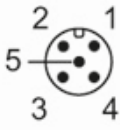
Temperature gradient [K/min] 300

SF3305



Flow sensor for connection to an evaluation unit

SFN12ADB/US-100

Response times	
Response time [s]	1...10
Liquids	
Response time [s]	1...10
Gases	
Response time [s]	1...10
Operating conditions	
Protection	IP 67
Mechanical data	
Housing	threaded type
Materials	stainless steel (1.4571/316Ti)
Materials (wetted parts)	stainless steel (1.4571/316Ti)
Process connection	1/2 NPT
Remarks	
Pack quantity	1 pcs.
Electrical connection	
Connector: 1 x M12; Maximum cable length: 100 m	
	

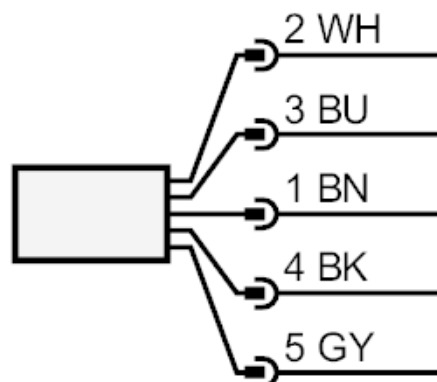
SF3305



Flow sensor for connection to an evaluation unit

SFN12ADB/US-100

Connection



Core colours :

BN =	brown
BU =	blue
BK =	black
WH =	white
GY =	grey

Article no longer available - archive entry

replaced by: SF5200 + E40107