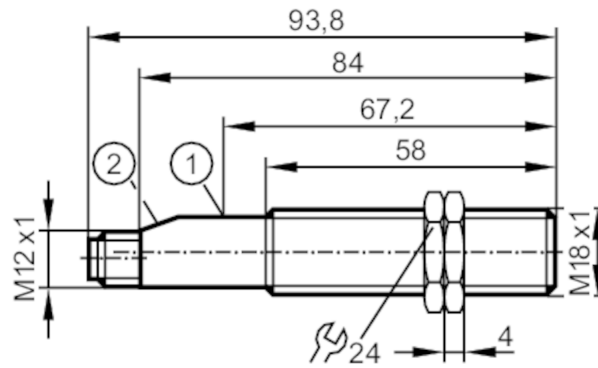


# KG5057



## Capacitive sensor

KG-3008-BPKG/NI/US



- 1 potentiometer
- 2 LED



### Product characteristics

Electrical design	PNP
Output function	normally open
Sensing range [mm]	8
Housing	threaded type
Dimensions [mm]	M18 x 1 / L = 93.8

### Electrical data

Operating voltage [V]	10...36 DC
Current consumption [mA]	< 10 (24 V DC) / < 15 (36 V DC)
Protection class	II
Reverse polarity protection	yes

### Outputs

Electrical design	PNP
Output function	normally open
Max. voltage drop switching output DC [V]	2.5
Permanent current rating of switching output DC [mA]	250
Switching frequency DC [Hz]	50
Short-circuit proof	yes
Overload protection	yes

### Detection zone

Sensing range [mm]	8
Sensing range adjustable	yes
Factory setting sensing range [mm]	8
Real sensing range $S_r$ [mm]	$8 \pm 10 \%$
Operating distance [mm]	0...6.5

# KG5057



## Capacitive sensor

KG-3008-BPKG/NI/US

### Accuracy / deviations

Correction factor	glass: 0.4 / water: 1 / ceramics: 0.2 / PVC: 0.2	
Hysteresis [% of Sr]	1...15	
Switch point drift [% of Sr]	-15...15	

### Operating conditions

Ambient temperature [°C]	-25...80	
Protection	IP 67	
Increased immunity	yes	

### Tests / approvals

EMC	EN 60947-5-2	
MTTF [years]	647	

### Mechanical data

Weight [g]	52.5	
Housing	threaded type	
Mounting	non-flush mountable	
Dimensions [mm]	M18 x 1 / L = 93.8	
Thread designation	M18 x 1	
Materials	PBT	

### Displays / operating elements

Display	switching status	1 x LED, yellow
---------	------------------	-----------------

### Accessories

Accessories (supplied)	lock nuts: 2 screwdriver: 1	
------------------------	--------------------------------	--

### Remarks

Pack quantity	1 pcs.	
---------------	--------	--

### Electrical connection - plug

Connector: 1 x M12



# KG5057

## Capacitive sensor

KG-3008-BPKG/NI/US



### Connection

