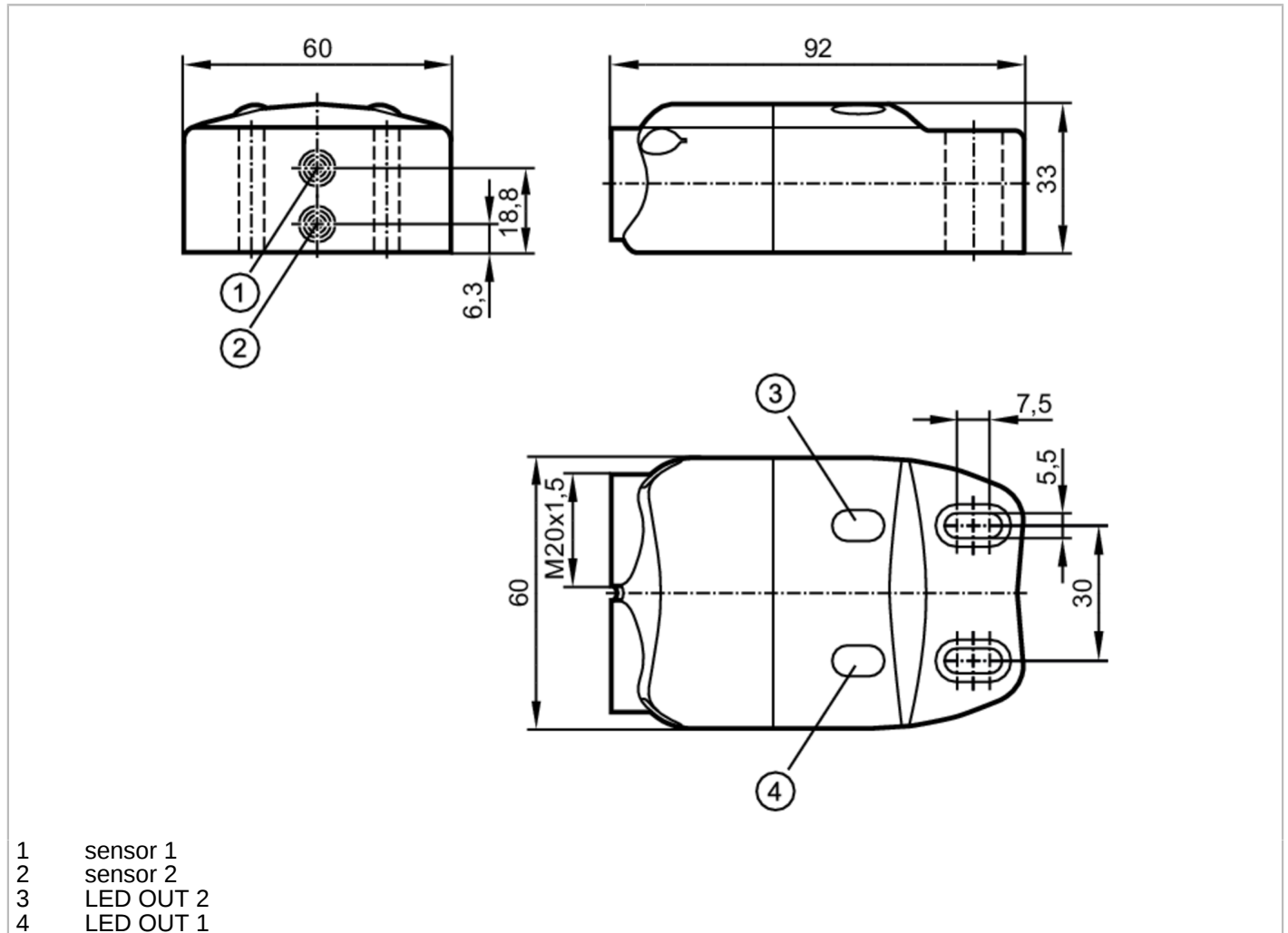


IN0131



Inductive sensor

INE2004DABOA



Product characteristics

Output function		2 x normally open
Sensing range	[mm]	4
Housing		rectangular
Dimensions	[mm]	33 x 60 x 92

Electrical data

Operating voltage	[V]	20...250 AC/DC
Current consumption	[mA]	< 15
Protection class		II
Reverse polarity protection		yes

IN0131



Inductive sensor

INE2004DABOA

Outputs		
Output function		2 x normally open
Max. voltage drop switching output DC [V]		6
Max. voltage drop switching output AC [V]		6.5
Minimum load current [mA]		5
Max. leakage current [mA]		2.5 (250 V AC) / 1.3 (110 V AC) / 0.8 (24 V DC)
Permanent current rating of switching output AC [mA]		250; (350 (...50 °C))
Permanent current rating of switching output DC [mA]		100
Short-time current rating of switching output [mA]		2200; (20 ms / 0,5 Hz)
Switching frequency AC [Hz]		25
Switching frequency DC [Hz]		50
Short-circuit protection		no
Overload protection		no
Detection zone		
Sensing range [mm]		4
Real sensing range Sr [mm]		4 ± 10 %
Operating distance [mm]		0...3.25
Accuracy / deviations		
Correction factor		steel: 1 / stainless steel: 0.7 / brass: 0.5 / aluminium: 0.4 / copper: 0.3
Hysteresis [% of Sr]		1...15
Switch point drift [% of Sr]		-10...10
Operating conditions		
Ambient temperature [°C]		-25...70
Protection		IP 67
Tests / approvals		
EMC		EN 60947-5-2
MTTF [years]		307
UL approval	Ta	-25...70 °C
	Enclosure type	Type 1
	voltage supply	Hazardous voltage
	File number UL	E174191
Mechanical data		
Weight [g]		174.8
Housing		rectangular
Mounting		non-flush mountable
Dimensions [mm]		33 x 60 x 92
Materials		housing: PA
Displays / operating elements		
Display	switching status	2 x LED, yellow

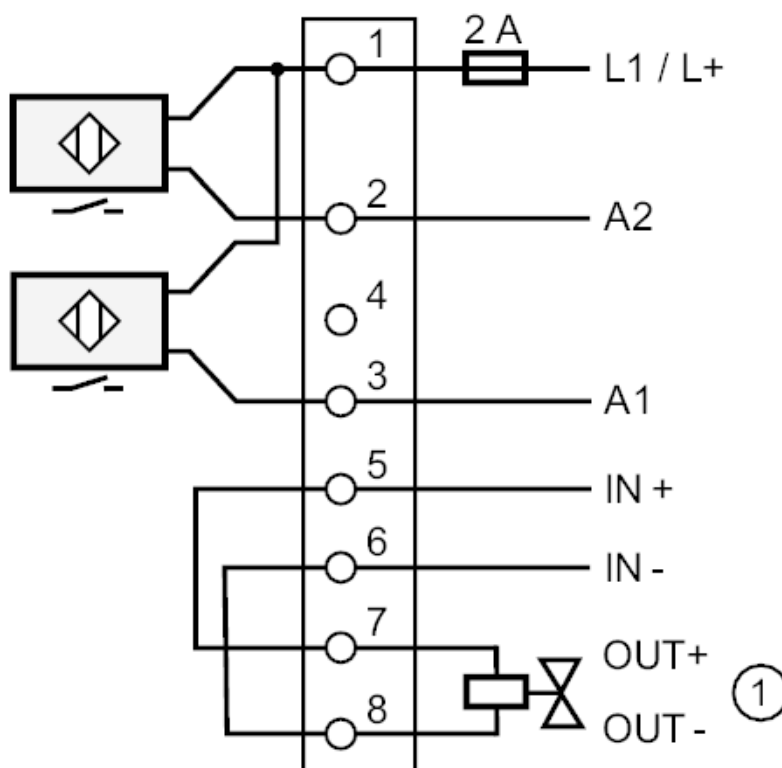
IN0131



Inductive sensor

INE2004DABOA

Electrical connection	
Required protection	miniature fuse to IEC60127-2 sheet 1; ≤ 2 A; fast acting
Accessories	
Accessories (supplied)	washers: 2 cylinder screws: 2 x M5 x 18
Remarks	
Remarks	Recommendation: Check the safe functioning of the unit after a short circuit.
Pack quantity	1 pcs.
Electrical connection	
terminal strip in the terminal chamber:	
Connection	



Note miniature fuse to IEC60127-2 sheet 1 ≤ 2 A fast acting

1 output solenoid valve