

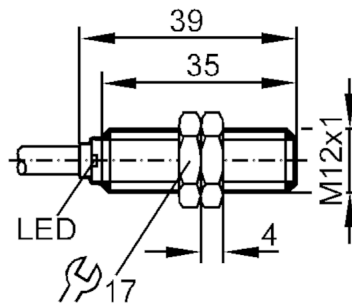
IF5965



Inductive sensor

IFB3002-BNKG

Article no longer available - archive entry



Product characteristics

Electrical design	NPN
Output function	normally closed
Sensing range [mm]	2
Housing	threaded type
Dimensions [mm]	M12 x 1

Electrical data

Operating voltage [V]	10...36 DC
Current consumption [mA]	15; (24 V)
Protection class	II
Reverse polarity protection	yes

Outputs

Electrical design	NPN
Output function	normally closed
Max. voltage drop switching output DC [V]	2.5
Permanent current rating of switching output DC [mA]	250
Switching frequency DC [Hz]	800
Short-circuit protection	yes
Type of short-circuit protection	pulsed
Overload protection	yes

IF5965



Inductive sensor

IFB3002-BNKG

Detection zone		
Sensing range	[mm]	2
Real sensing range Sr	[mm]	2 ± 10 %
Operating distance	[mm]	0...1.6
Accuracy / deviations		
Correction factor		steel: 1 / stainless steel: 0.7 / brass: 0.5 / aluminium: 0.4 / copper: 0.3
Hysteresis	[% of Sr]	3...15
Switch point drift	[% of Sr]	-10...10
Operating conditions		
Ambient temperature	[°C]	-25...80
Protection		IP 67
Tests / approvals		
EMC		EN 60947-5-2
		EN 55011 class B
MTTF	[years]	2548
Mechanical data		
Weight	[g]	0.091
Housing		threaded type
Mounting		flush mountable
Dimensions	[mm]	M12 x 1
Thread designation		M12 x 1
Materials		brass white bronze coated; PBT
Displays / operating elements		
Display		switching status 1 x LED, yellow
Accessories		
Accessories (supplied)		lock nuts: 2
Remarks		
Pack quantity		1 pcs.

IF5965



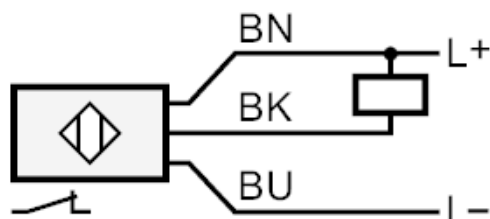
Inductive sensor

IFB3002-BNKG

Electrical connection

Cable: 2 m, PVC; 3 x 0.34 mm²

Connection



Core colours :

BK = black
BN = brown
BU = blue

Article no longer available - archive entry