

E30005

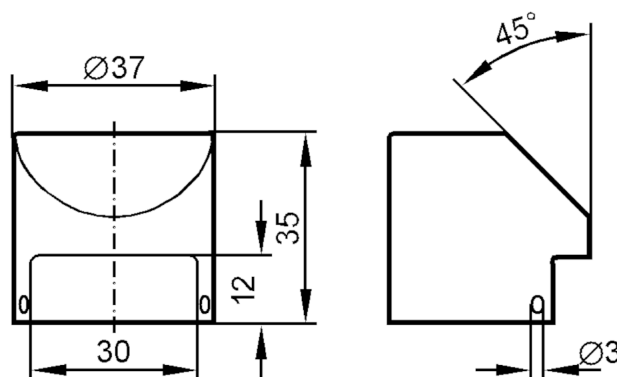


Protective cover for process sensors

PROTECTIVE COVER 1

discontinued article

Discontinuation date: 31.03.2017



Application

Design for fluid sensors with connector DIN EN 175301-803

Mechanical data

Weight [g] 8.6

Materials TPE-U

Remarks

Notes discontinued article

Pack quantity 1 pcs.

discontinued article

Discontinuation date: 31.03.2017