

# E12351

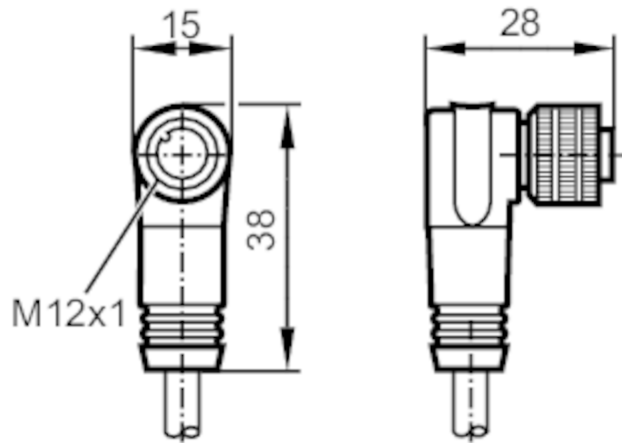


## Connecting cable with socket

ADOAH050MSS0005K05

Article no longer available - archive entry

replaced by: EVC548



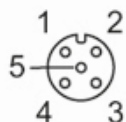
Application	
Special feature	Free from silicone; Gold-plated contacts; Screened cable
Free from silicone	yes
Electrical data	
Operating voltage [V]	< 30 AC / < 36 DC
Protection class	III
Max. current load total [A]	4
Operating conditions	
Ambient temperature [°C]	-40...85
Protection	IP 67
Mechanical data	
Weight [g]	236
Dimensions [mm]	28 x 15 x 38
Materials	PUR
Material nut	brass, nickel-plated
Remarks	
Pack quantity	1 pcs.
Electrical connection	
Cable: 5 m, PUR, black, Ø 5 mm, shielded; 5 x 0.25 mm <sup>2</sup> (14 x Ø 0.15 mm )	
Electrical connection - socket	
Connector: 1 x M12, angled; Moulded body: PUR; Locking: brass, nickel-plated; Contacts: gold-plated; Tightening torque: 1.0...1.5 Nm; Shielded connection cable: screen connected	

# E12351

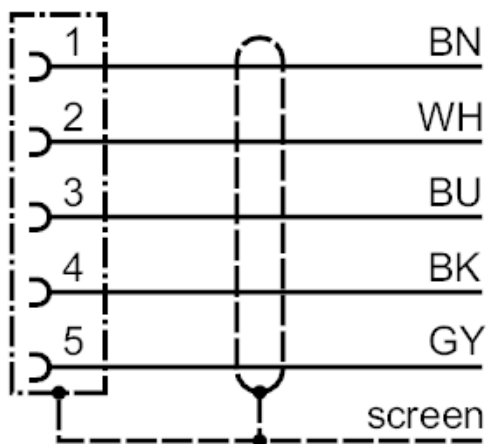


## Connecting cable with socket

ADOAH050MSS0005K05



### Connection



Core colours :

BK =	black
BN =	brown
BU =	blue
GY =	grey
WH =	white

Article no longer available - archive entry

replaced by: EVC548