

E12276

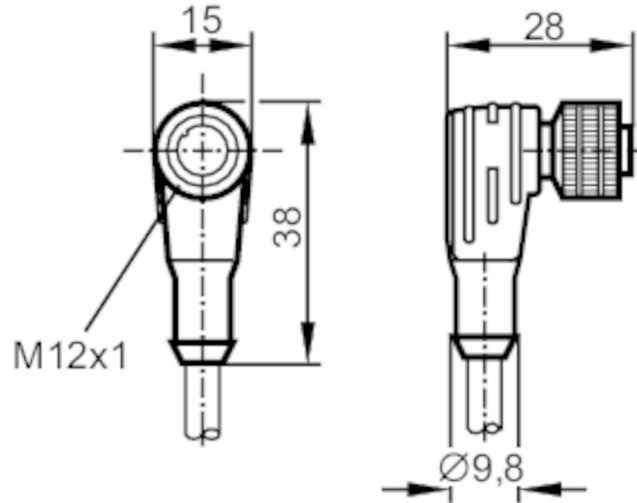


Connecting cable with socket

ADOAH040MSS0010C04

Article no longer available - archive entry

replaced by: EVC543



Application

Special feature	Free from silicone; Halogen-free; Gold-plated contacts; Screened cable
Free from silicone	yes

Electrical data

Operating voltage [V]	< 50 AC / < 60 DC
Protection class	III
Max. current load total [A]	4

Operating conditions

Ambient temperature [°C]	-25...90
Protection	IP 67

Mechanical data

Weight [g]	371.4
Dimensions [mm]	28 x 15 x 38
Materials	TPU
Material nut	brass, nickel-plated

Remarks

Pack quantity	1 pcs.
---------------	--------

Electrical connection

Cable: 10 m, PUR, Halogen-free, black, Ø 5 mm, shielded; 4 x 0.34 mm² (42 x Ø 0.1 mm)

Electrical connection - socket

Connector: 1 x M12, angled; Moulded body: TPU; Locking: brass, nickel-plated; Contacts: gold-plated; Tightening torque: 0.7...0.9 Nm; Shielded connection cable: screen connected

E12276

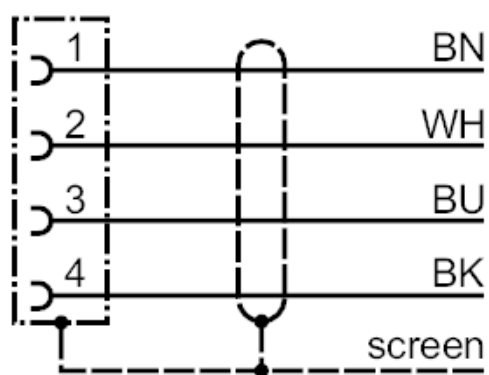


Connecting cable with socket

ADOAH040MSS0010C04



Connection



Core colours :

BK = black
BN = brown
BU = blue
WH = white

Article no longer available - archive entry

replaced by: EVC543