

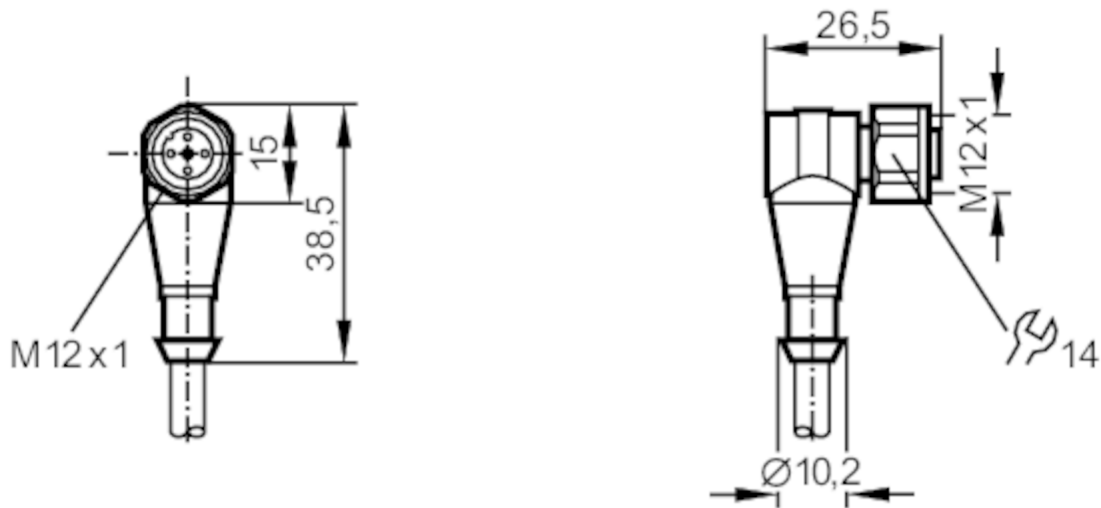
# E12230



## Connecting cable with socket

ADOAH040VAS0035G04

Article no longer available - archive entry



### Application

Special feature	Free from silicone; Gold-plated contacts; Screened cable
Free from silicone	yes

### Electrical data

Operating voltage [V]	< 50 AC / < 60 DC
Protection class	III
Max. current load total [A]	4

### Operating conditions

Ambient temperature [°C]	-25...100
Protection	IP 67

### Mechanical data

Weight [g]	1690.2
Dimensions [mm]	26.5 x 15 x 38.5
Materials	PVC
Material nut	stainless steel (1.4404 / 316L)

### Remarks

Pack quantity	1 pcs.
---------------	--------

### Electrical connection

Cable: 35 m, PVC, orange,  $\varnothing$  5.3 mm, shielded; 4 x 0.34 mm<sup>2</sup> (42 x  $\varnothing$  0.1 mm )

### Electrical connection - socket

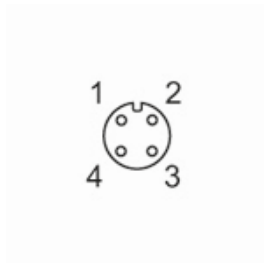
Connector: 1 x M12, angled; Moulded body: PVC; Locking: stainless steel (1.4404 / 316L); Contacts: gold-plated; Tightening torque: 0.7...0.9 Nm; Shielded connection cable: screen not connected

# E12230

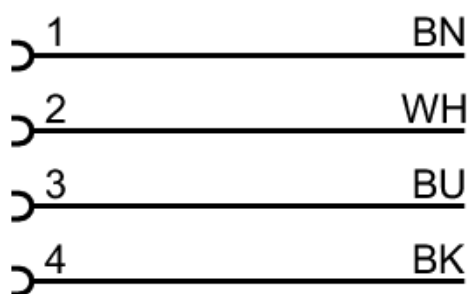


## Connecting cable with socket

ADOAH040VAS0035G04



### Connection



Core colours :

BK =	black
BN =	brown
BU =	blue
WH =	white

Article no longer available - archive entry