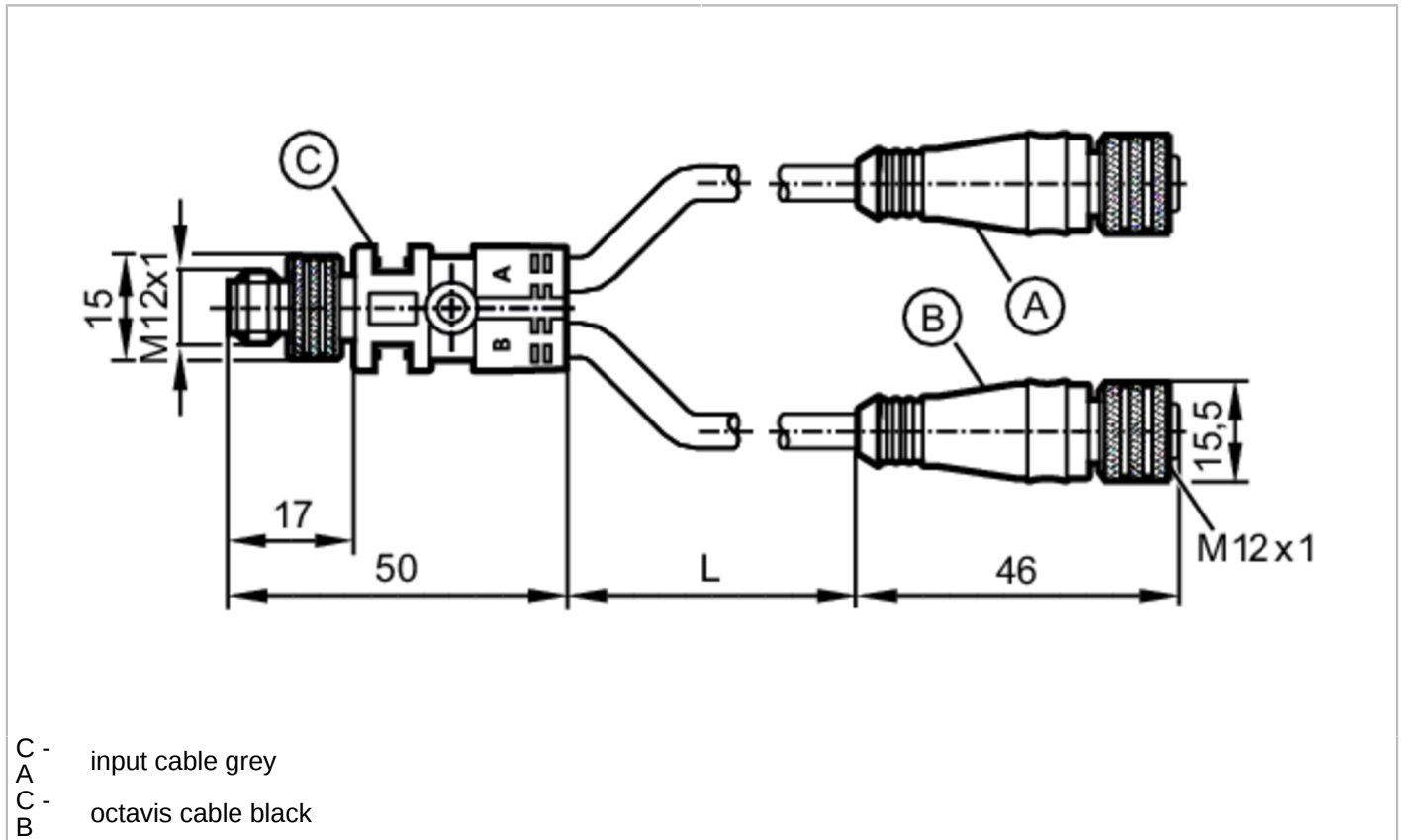


# E12405



## Y connection cable

YDOGH050MSS0,25H04STGH050MSS



Application	
Special feature	Halogen-free
Electrical data	
Operating voltage [V]	10...30 DC
Max. current load total [A]	4
Operating conditions	
Ambient temperature [°C]	-25...90
Protection	IP 67
Mechanical data	
Weight [g]	65
Materials	TPU
Material nut	brass, nickel-plated / brass, nickel-plated
Number of ports splitter box	2
Remarks	
Pack quantity	1 pcs.

**Electrical connection**  
 Cable: 0.25 m, PUR, Halogen-free, black, Ø 5 mm; 5 x 0.25 mm<sup>2</sup> (32 x Ø 0.1 mm )

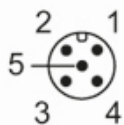
**Electrical connection - plug**  
 Connector: 1 x M12; Moulded body: TPU; Locking: brass, nickel-plated

# E12405

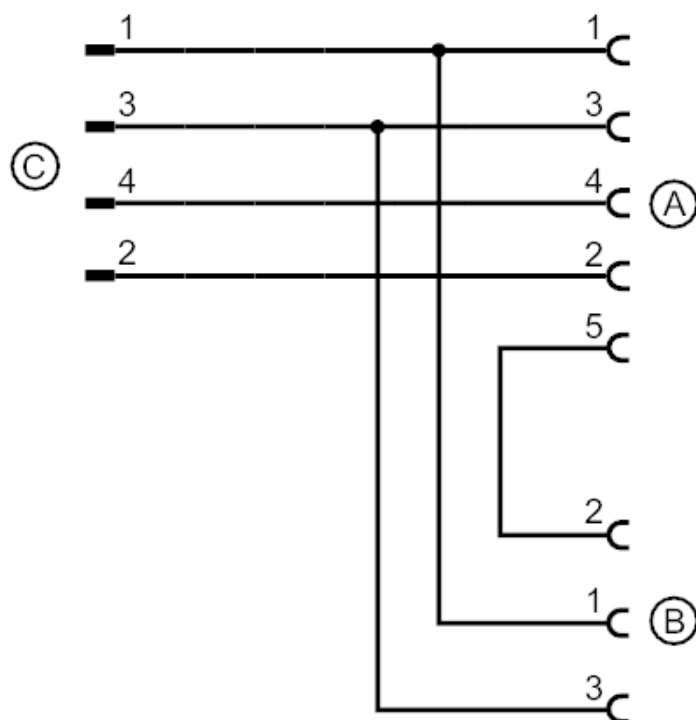


## Y connection cable

YDOGH050MSS0,25H04STGH050MSS



### Connection



### Electrical connection - socket

Connector: 2 x M12; Moulded body: TPU; Locking: brass, nickel-plated

