

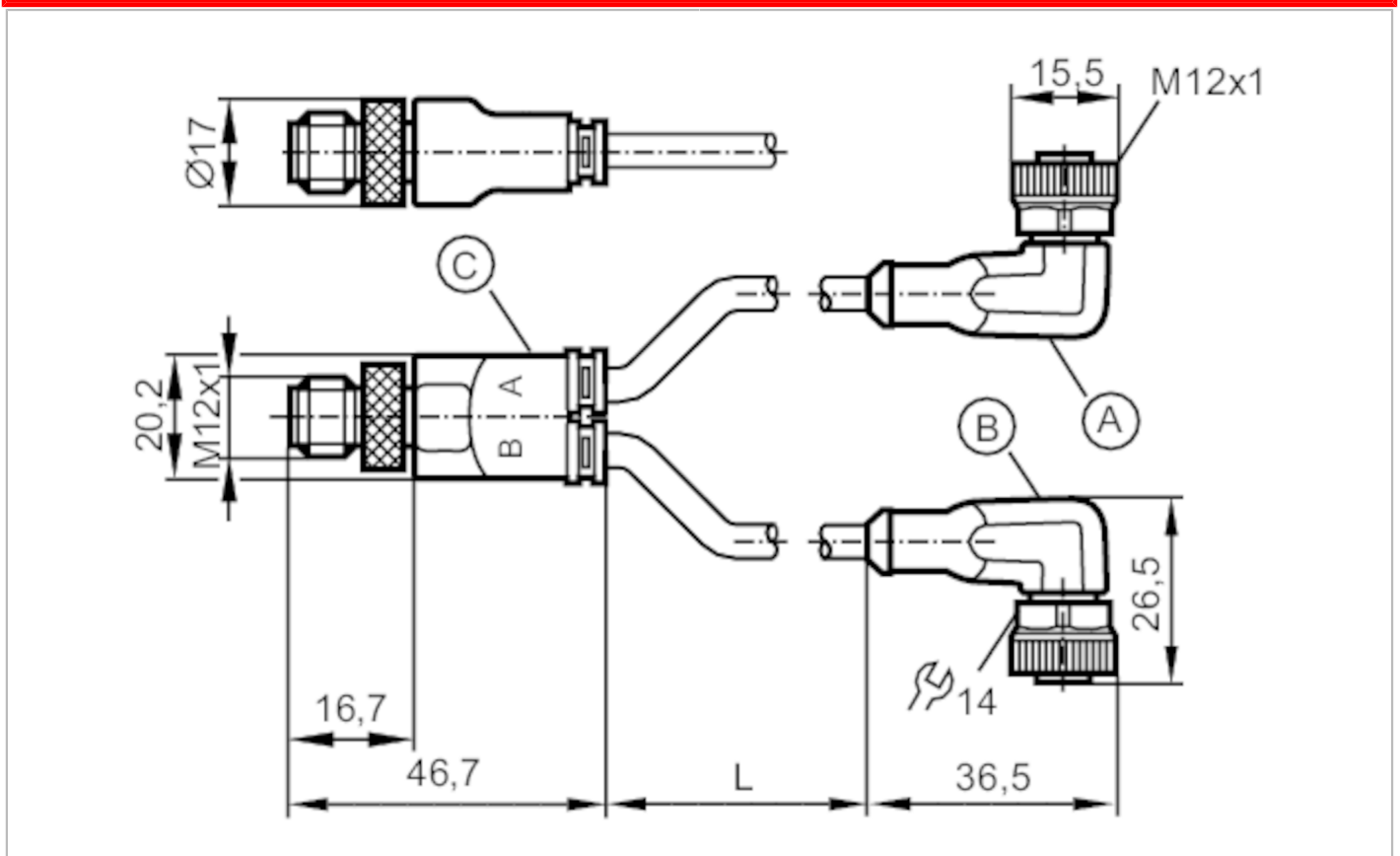
E11761



Y connection cable

YDOAH040MSS0002H04STGH050MSS

Article no longer available - archive entry



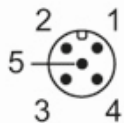
Application	
Special feature	Free from silicone; Halogen-free; Gold-plated contacts
Free from silicone	yes
Electrical data	
Operating voltage [V]	< 250 AC / < 300 DC
Operating conditions	
Ambient temperature [°C]	-25...90
Protection	IP 68
Mechanical data	
Weight [g]	195.8
Materials	connector housing: TPU black; socket housing: TPU orange; Sealing: FKM
Material nut	brass, nickel-plated / brass, nickel-plated
Number of ports splitter box	2
Remarks	
Pack quantity	1 pcs.
Electrical connection	
Cable: 2 m, PUR, Halogen-free, black, Ø 4.9 mm; 4 x 0.34 mm ² (42 x Ø 0.1 mm)	
Electrical connection - plug	
Connector: 2 x M12; Locking: brass, nickel-plated; Contacts: gold-plated	

E11761

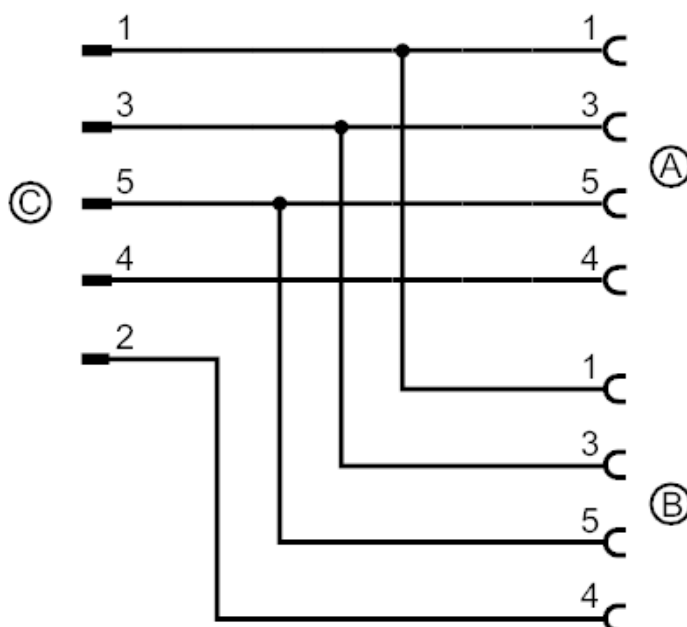


Y connection cable

YDOAH040MSS0002H04STGH050MSS

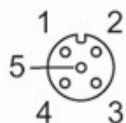


Connection



Electrical connection - socket

Connector: 2 x M12; Locking: brass, nickel-plated; Contacts: gold-plated



Article no longer available - archive entry