

# DX2003

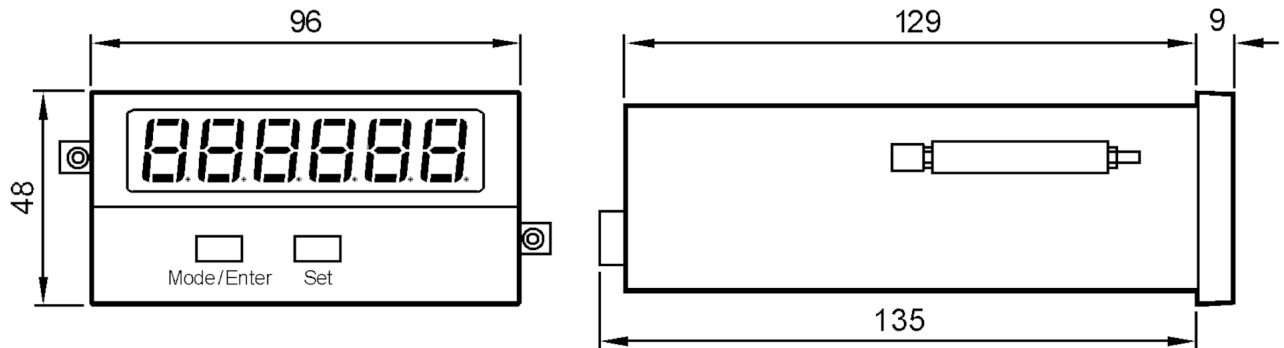


## Multifunction display for monitoring revolution, speed and time

DISPLAY/FX360/PNP OUT

Article no longer available - archive entry

replaced by: DX2023; discontinued article – Discontinuation date: 31.03.2017



### Application

Application

universal evaluation and display for all physical units which can be derived from pulse sequences

### Electrical data

Frequency AC	[Hz]	50...60
Operating voltage tolerance	[%]	33...58
Operating voltage	[V]	230 / 115 AC / 24 DC
Current consumption	[mA]	120 (18 V); 95 (24 V); 80 (30 V)
Auxiliary energy for sensors DC	[V]	24; ( $\pm 15\%$ , 150 mA)

### Operating conditions

Ambient temperature	[°C]	0...45
Storage temperature	[°C]	-25...75
Protection		IP 65; (on the front)
Protection rating terminals		IP 20

### Tests / approvals

EMC		EN 50081-1
		EN 61000-6-2
MTTF	[years]	84

### Mechanical data

Weight	[g]	575.4
Materials		Noryl UL94-V-0

# DX2003



## Multifunction display for monitoring revolution, speed and time

DISPLAY/FX360/PNP OUT

### Displays / operating elements

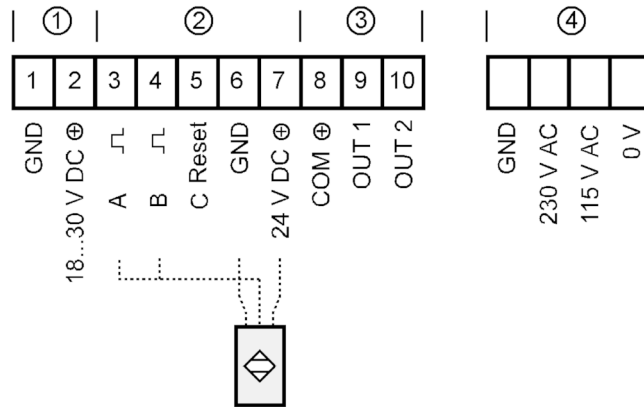
Display  7-segment LED display, orange 6-digit 15 mm

### Electrical connection

screw terminals, DC: 10 x ...1.5 mm<sup>2</sup>

screw terminals, AC: 4 x ...2.5 mm<sup>2</sup>

### Connection



Article no longer available - archive entry

replaced by: DX2023; discontinued article – Discontinuation date: 31.03.2017