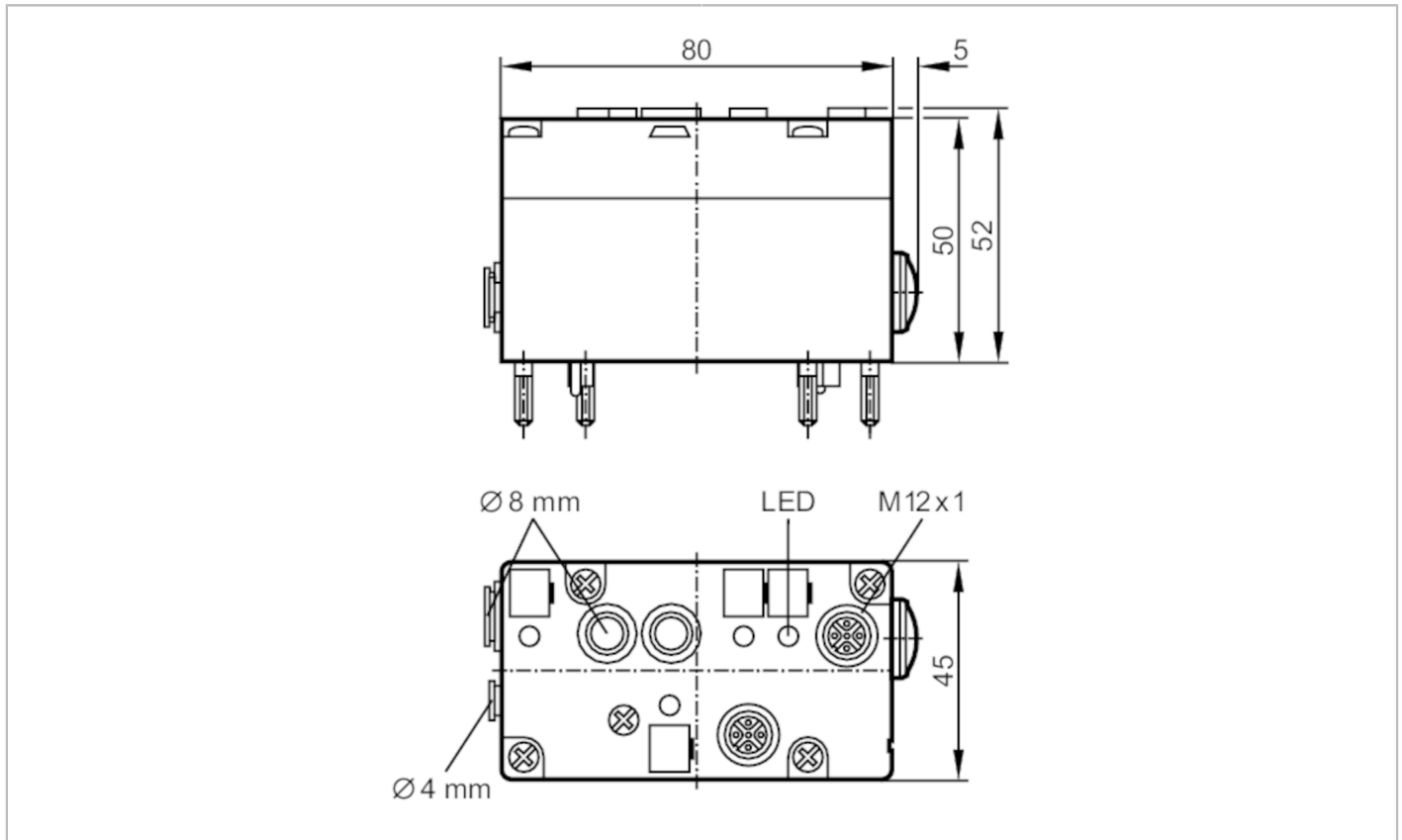


AC2046



AS-Interface AirBox

AirBox 2DI 1PO M12



Electrical data	
Operating voltage [V]	26.5...31.6 DC
Max. current consumption from AS-i [mA]	165
Integrated watchdog	yes
Inputs / outputs	
Number of inputs and outputs	Number of digital inputs: 2; Number of pneumatic outputs: 1
Inputs	
Number of digital inputs	2
Input circuit of digital inputs	PNP
Sensor supply of the inputs	AS-i
Voltage supply [V]	20...30
Max. total current rating of inputs [mA]	100
Input current High [mA]	> 3
Input current Low [mA]	< 1.5
Min. switching level high signal [V]	10
Digital inputs protected against short circuits	yes

AC2046



AS-Interface AirBox

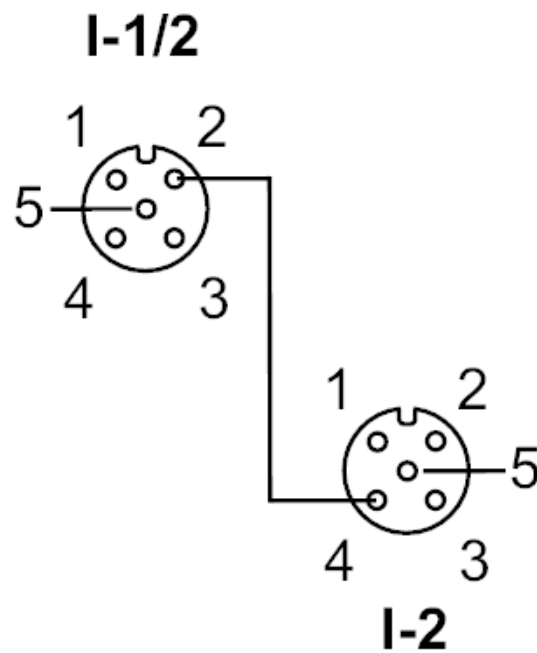
AirBox 2DI 1PO M12

Outputs					
Electrical design	AS-i				
Number of pneumatic outputs	1; (pneumatic NO/NC selectable output ; monostable)				
Operating conditions					
Ambient temperature [°C]	0...55				
Note on ambient temperature	with special compressed air treatment: < 0 °C				
Protection	IP 65				
Tests / approvals					
EMC	EN 50295				
AS-i classification					
AS-i profile	S-3.F				
AS-i I/O configuration [hex]	3				
AS-i ID code [hex]	F				
AS-i certificate pending	yes				
Assignment of the data bits	data bit	D0	D1	D2	D3
	socket	I-1	I-1 / I-2	O-3	-
	pin	4	2 / 4	-	-
Mechanical data					
Weight [g]	243.5				
Type of mounting	AS-i interface to FC lower parts				
Materials	PBT				
Pneumatic system	one 4/2-way seat valve				
Operating pressure range [bar]	3...8				
Operating pressure range [MPa]	0.3...0.8				
Note on working pressure range	incl. possible pressure peaks				
Air flow at 6/5 bar [l/min]	500				
Air flow at 6/0 bar [l/min]	700				
Permissible compressed air	filtered (5 µm); lubricated (ISO-VG10) or not lubricated				
Auxiliary air 90 % vacuum [bar]	3...8				
Auxiliary air 90 % vacuum [MPa]	0.3...0.8				
Tube fittings	Legris LF 3000/8 / LF 3000/4				
Exhaust	integrated exhaust				
Displays / operating elements					
Display	operation		LED, green		
	function		LED, yellow		
Remarks					
Remarks	Notes on compressed air and EMC/ESD at www.ifm.com				
Pack quantity	1 pcs.				

Electrical connection

contact pins to module lower part, FK / PG:

Connection



	input
	socket I-1/2
1	Sensor supply L+
2	data input 2
3	Sensor supply L-
4	data input 1
5	not used
	socket I-2
1	Sensor supply L+
2	not used
3	Sensor supply L-
4	data input 2
5	not used

Connector: M12