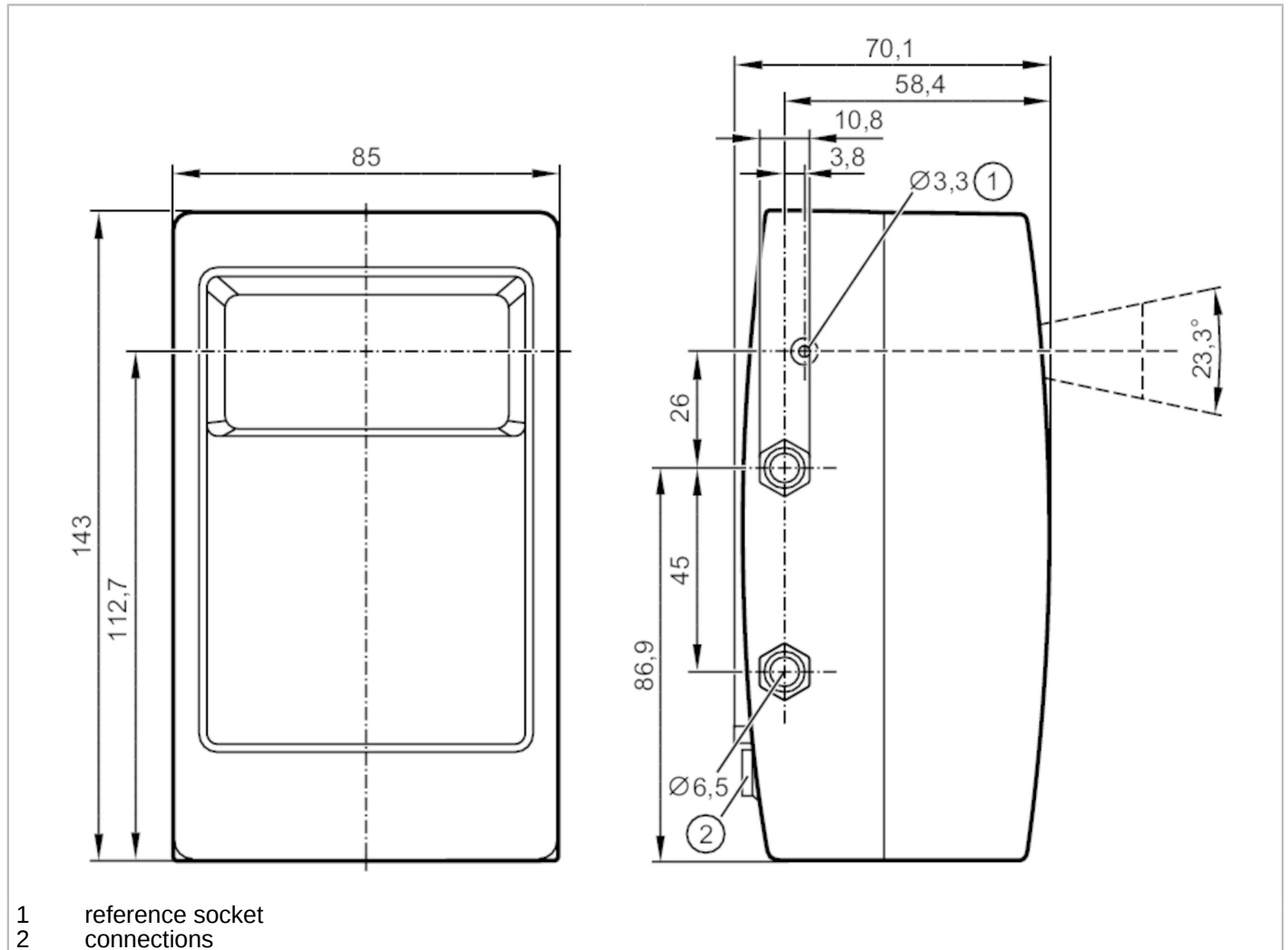


O3M151



3D sensor for mobile applications

O3MXOOKG/CAN/E3/GM/70



Made in Germany



Application	
Application	output of 3D image data
Electrical data	
Operating voltage [V]	9...32 DC
Current consumption [mA]	< 400
Power consumption [W]	3.6
Protection class	III
Detection zone	
Image resolution [pixels]	64 x 16
Angle of aperture	70 x 23
Image repetition frequency 3D [Hz]	25 / 33 / 50
Software / programming	
Parameter setting options	via PC with ifm Vision Assistant

O3M151



3D sensor for mobile applications

O3MXOOKG/CAN/E3/GM/70

Interfaces			
Communication interface	CAN; Ethernet		
Number of CAN interfaces	1		
CAN			
Transmission rate	250 (125...1000) kBaud		
Protocol	CANopen; UDS		
Ethernet			
Number of Ethernet interfaces	1		
Protocol	UDP/IP		
Factory settings	IP address: 192.168.1.1 subnet mask: 255.255.255.0		
Operating conditions			
Ambient temperature [°C]	-40...85		
Note on ambient temperature	with high image repetition frequency of 25 Hz		
Storage temperature [°C]	-40...105		
Protection	IP 67; IP 69K; (with mounted connectors or protective caps)		
Max. immunity to extraneous light [klx]	120		
Tests / approvals			
EMC	DIN EN 61000-6-4	industrial environments	
	DIN EN 61000-6-2	industrial environments	
Shock resistance	DIN EN 60068-2-27	30 g / 6 ms bump	
Vibration resistance	DIN EN 60068-2-6	10 g / 10...500 Hz swept sine	
	DIN EN 60068-2-64	10...2000 Hz noise	
Electrical protection	DIN EN 61010-2-201	electric shock	electrical supply only via PELV circuits
MTTF [years]		74.02	
Mechanical data			
Weight [g]		953.7	
Dimensions [mm]		143 x 85 x 70.1	
Materials		diecast aluminium	
Sensorart		PMD 3D ToF-Chip	
Accessories			
Accessories (supplied)		Protective covers	
Remarks			
Remarks	The illumination unit is required for the operation of the sensor. Only use original ifm cables to connect sensor and illumination unit. The function-specific performance values can be found in the applicable documentation.		
Pack quantity		1 pcs.	



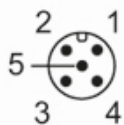
3D sensor for mobile applications

O3MXOOKG/CAN/E3/GM/70

Electrical connection - CAN

1	Screen
2	9...32 V
3	GND
4	CAN-H
5	CAN-L

Connector: 1 x M12



Electrical connection - Ethernet

1	TD +
2	RD +
3	TD -
4	RD -

Connector: 1 x M12

