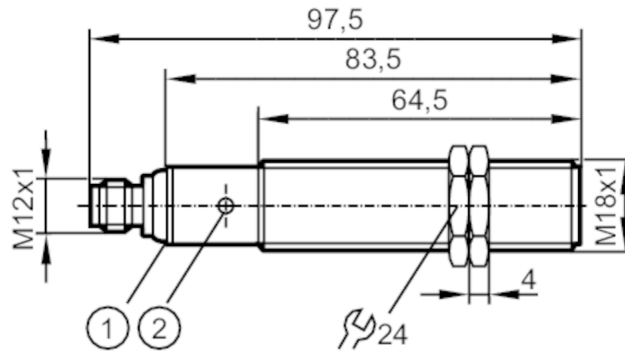


UGT515



Ultrasonic sensor

UGA01600HOKG/US



- 1 LEDs
- 2 teach button



Product characteristics

Electrical design		NPN
Output function		normally open / normally closed; (parameterisable)
Sensing range	[mm]	150...1600
Housing		threaded type
Dimensions	[mm]	M18 x 1 / L = 97.5

Electrical data

Operating voltage	[V]	10...30 DC; ("supply class 2" to cULus)
Current consumption	[mA]	55
Protection class		III
Reverse polarity protection		yes
Power-on delay time	[s]	< 0.3
Converter frequency	[kHz]	230

Inputs / outputs

Number of inputs and outputs		Number of digital outputs: 2
------------------------------	--	------------------------------

Outputs

Total number of outputs		2
Electrical design		NPN
Number of digital outputs		2
Output function		normally open / normally closed; (parameterisable)
Max. voltage drop switching output DC	[V]	2.2
Permanent current rating of switching output DC	[mA]	100
Switching frequency DC	[Hz]	3
Short-circuit protection		yes
Overload protection		yes

UGT515



Ultrasonic sensor

UGA01600HOKG/US

Detection zone		
Sensing range	[mm]	150...1600
Blind zone	[mm]	150
Angle of aperture cylindrical	[°]	7; (±2)
Detection range hysteresis	[mm]	< 1
Max. deviation from the 90° angle sensor/object	[°]	± 4
Accuracy / deviations		
Notes on the accuracy / deviation	The indicated values are reached after a warm-up time of min. 20 minutes	
Temperature compensation		yes
Hysteresis	[%]	1
Switch point drift	[%]	-2...2
Operating conditions		
Ambient temperature	[°C]	-20...70
Protection		IP 67
Tests / approvals		
EMC	EN 61000-4-2 ESD	4 kV CD / plastics 8 kV AD / metal
	EN 61000-4-3 HF radiated	3 V/m
	EN 61000-4-4 Burst	2 kV
	EN 61000-4-6 HF conducted	3 V
	EN 55011	Class A
Vibration resistance	EN 60068-2-6 Fc	(10-55) Hz 1 mm amplitude, oscillation period 5 min., 30 min. per axis at resonance or 55 Hz
Shock resistance	EN 60068-2-27 Ea	yes
MTTF	[years]	158
Mechanical data		
Weight	[g]	101.5
Housing		threaded type
Dimensions	[mm]	M18 x 1 / L = 97.5
Thread designation		M18 x 1
Materials		stainless steel (1.4404 / 316L); PA; epoxy glass ceramics
Displays / operating elements		
Display	switching status	2 LED, yellow
	echo	1 LED, green
Accessories		
Accessories (supplied)	lock nuts: 2, stainless steel	
Remarks		
Remarks	operating voltage "supply class 2" according to cULus	
Pack quantity	1 pcs.	
Electrical connection		
Connector: 1 x M12		

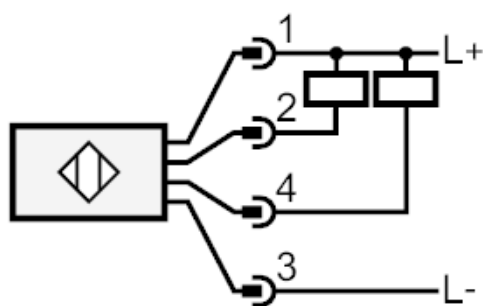
UGT515

Ultrasonic sensor

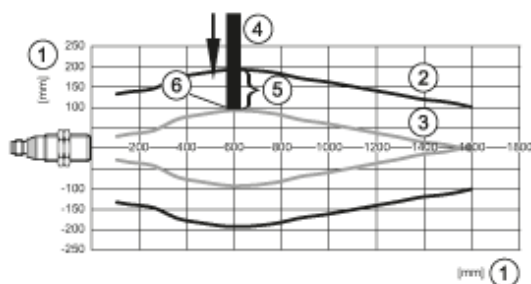
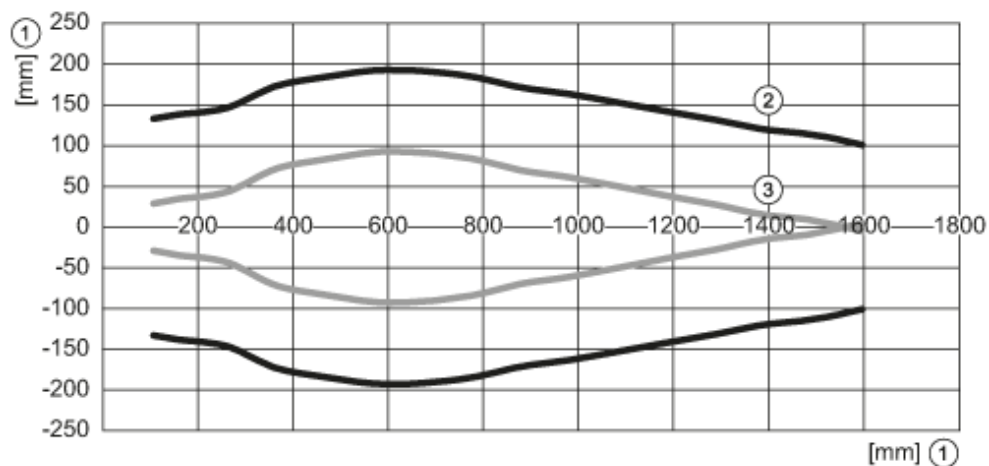
UGA01600HOKG/US



Connection



Diagrams and graphs



- 1: distance
- 2: Detection zone
- 3: switch-on/switch-off graph
- 4: Target 200 x 200 mm
- 5: 50% of the target in the detection zone
- 6: switch point