

SF0704

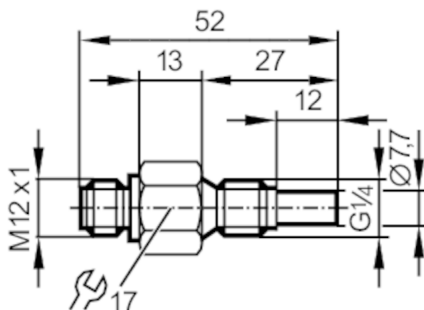


Flow sensor for connection to an evaluation unit

SFR14ABBE1/US-100

Article no longer available - archive entry

replaced by: SF220A



Product characteristics

Process connection	G 1/4 external thread
--------------------	-----------------------

Application

Application	Ex zone 1
Medium temperature [°C]	-25...80
Pressure rating [bar]	30

Liquids

Application	Ex zone 1
Medium temperature [°C]	-25...80

Gases

Medium temperature [°C]	-25...80
-------------------------	----------

Electrical data

Connection to control monitor	VS 0200 Exi
-------------------------------	-------------

Measuring/setting range

Liquids

Setting range [cm/s]	3...300
Greatest sensitivity [cm/s]	3...60

Gases

Setting range [cm/s]	200...2000
Greatest sensitivity [cm/s]	200...800

Accuracy / deviations

Temperature gradient [K/min]	15
------------------------------	----

Response times

Response time [s]	1...10
-------------------	--------

Liquids

Response time [s]	1...10
-------------------	--------

Gases

Response time [s]	1...10
-------------------	--------

Operating conditions

Protection	IP 67
------------	-------

SF0704

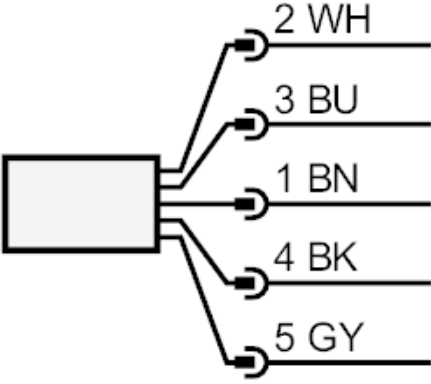


Flow sensor for connection to an evaluation unit

SFR14ABBE1/US-100

Mechanical data	
Housing	threaded type
Materials	stainless steel (1.4571/316Ti)
Materials (wetted parts)	stainless steel (1.4571/316Ti)
Process connection	G 1/4 external thread
Remarks	
Pack quantity	1 pcs.

Electrical connection	
Connector: 1 x M12; Maximum cable length: 100 m	
	

Connection	
	
Core colours :	
BN =	brown
BU =	blue
BK =	black
WH =	white
GY =	grey

Article no longer available - archive entry

replaced by: SF220A