

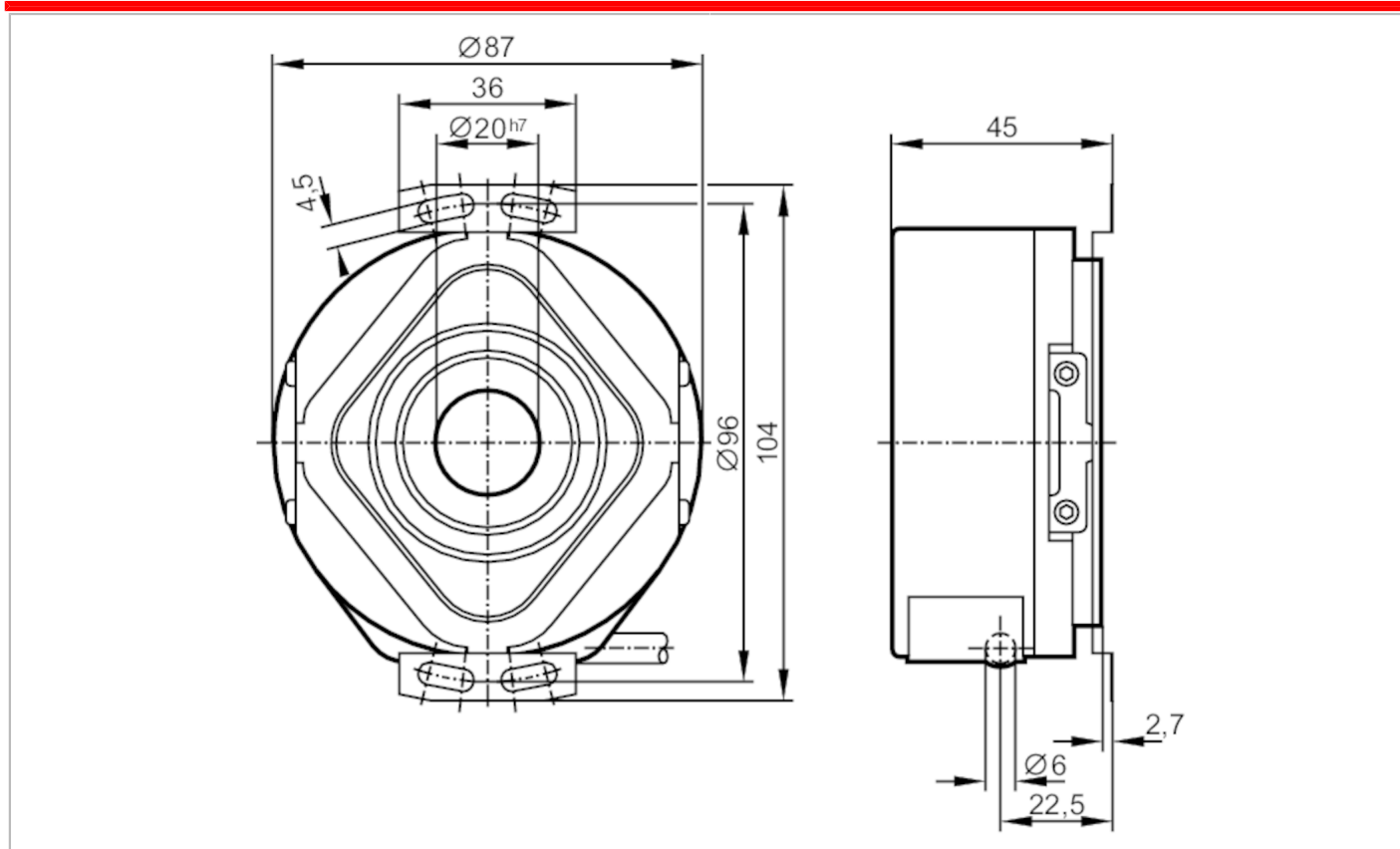
# RP1307

## Incremental encoder with hollow shaft

RP-0900-I05/N10



Article no longer available - archive entry



### Product characteristics

Resolution	900 resolution
Shaft design	continuous hollow shaft
Shaft diameter [mm]	20

### Electrical data

Operating voltage tolerance [%]	10
Operating voltage [V]	5 DC
Current consumption [mA]	< 150

### Outputs

Electrical design	TTL
Max. current load per output [mA]	20
Switching frequency [kHz]	300
Phase difference A and B [°]	90

### Measuring/setting range

Resolution	900 resolution
------------	----------------

# RP1307



## Incremental encoder with hollow shaft

RP-0900-I05/N10

Operating conditions		
Ambient temperature	[°C]	-30...60
Note on ambient temperature		higher temperature upon request for the diagram see the installation instructions
Storage temperature	[°C]	-30...100
Max. relative air humidity	[%]	98
Protection		IP 64

Tests / approvals		
Shock resistance		100 g (6 ms)
Vibration resistance	EN 60068-2-6	200 g (50...2000 Hz)

Mechanical data		
Dimensions	[mm]	Ø 87 / L = 45
Materials		aluminium
Max. revolution, mechanical	[U/min]	6000
Max. starting torque	[Nm]	10
Reference temperature torque	[°C]	20
Shaft design		continuous hollow shaft
Shaft diameter	[mm]	20
Shaft fit		H7
Shaft material		steel (1.4104)
Installation depth of shaft	[mm]	10
Max. axial shaft misalignment	[mm]	1,5

Electrical connection	
Cable: 1 m, PUR; radial	

brown	A
green	A inverted
grey	B
pink	B inverted
red	0 index
black	0 index inverted
blue	L+ sensor
white	0V sensor
brown/green	L+ (Up)
white/green	0V (Un)
lilac	failure inverted
screen	housing

# RP1307



## Incremental encoder with hollow shaft

RP-0900-I05/N10

### Diagrams and graphs

Pulse diagram



Output A

Output B

0 index

[Article no longer available - archive entry](#)