

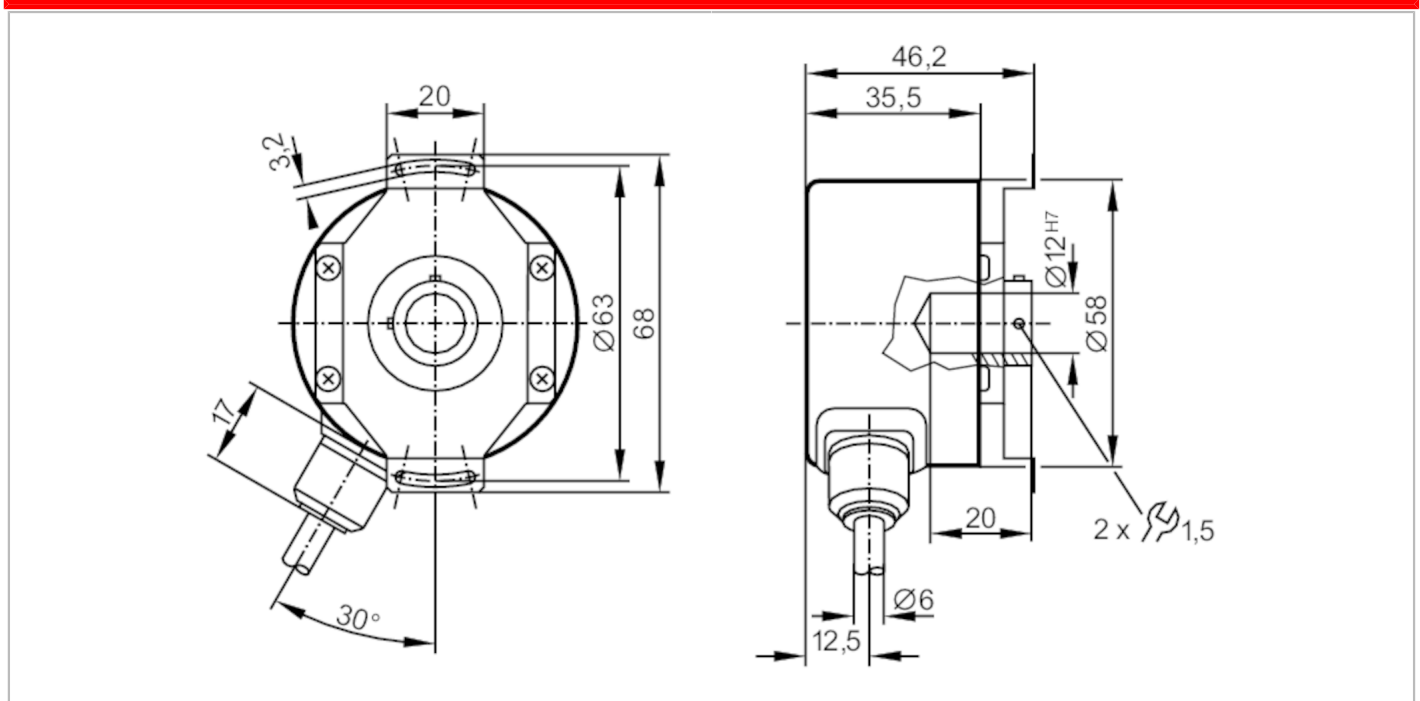
RO6353



Incremental encoder with hollow shaft

RO-0250-I24/N1U

Article no longer available - archive entry



Product characteristics

Resolution	250 resolution
Shaft design	hollow shaft open to one side
Shaft diameter [mm]	12

Electrical data

Operating voltage [V]	10...30 DC
Current consumption [mA]	< 150

Outputs

Electrical design	HTL
Max. current load per output [mA]	20
Switching frequency [kHz]	160
Type of short-circuit protection	< 60 s
Phase difference A and B [°]	90

Measuring/setting range

Resolution	250 resolution
------------	----------------

Operating conditions

Ambient temperature [°C]	-30...92
Note on ambient temperature	Up < 18 V: -30...100 °C
Storage temperature [°C]	-30...100
Max. relative air humidity [%]	98
Protection	IP 64

RO6353



Incremental encoder with hollow shaft

RO-0250-I24/N1U

Tests / approvals	
Shock resistance	100 g (6 ms)
Vibration resistance	10 g (55...2000 Hz)
Mechanical data	
Dimensions [mm]	Ø 58 / L = 35.5
Materials	aluminium
Max. revolution, mechanical [U/min]	12000
Max. starting torque [Nm]	2.5
Reference temperature torque [°C]	20
Shaft design	hollow shaft open to one side
Shaft diameter [mm]	12
Shaft fit	H7
Shaft material	stainless steel
Installation depth of shaft [mm]	10
Max. axial shaft misalignment [mm]	1; (max. radial shaft alignment: ± 0,05 mm)

Electrical connection

Cable: 1 m, PUR; radial

brown	A
green	A inverted
grey	B
pink	B inverted
red	0 index
black	0 index inverted
blue	10...30V sensor
white	0V sensor
brown/green	10...30V (Up)
white/green	0V (Un)
screen	housing

Diagrams and graphs

Pulse diagram

Output A
Output B
0 index

Article no longer available - archive entry