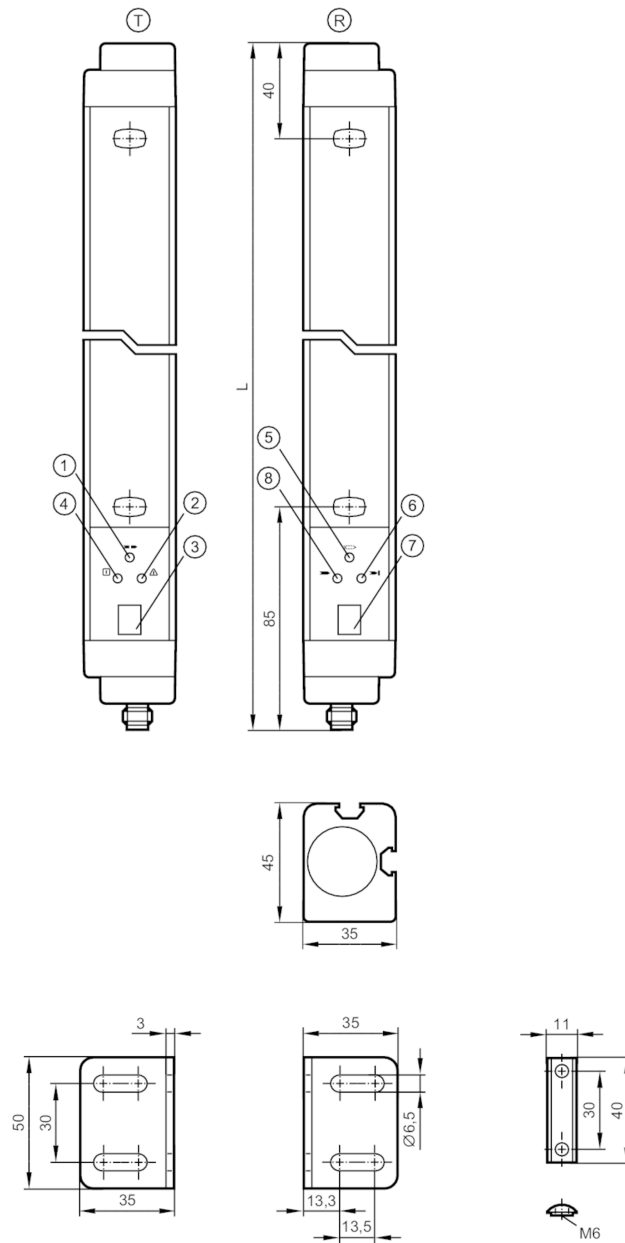


OY807S



Safety light curtain

OYA1060-14-4-05-P-1-B



- T transmitter
- R receiver
- 1 LED yellow
- 2 LED red
- 3 7-segment LED display
- 4 LED green
- 5 LED yellow
- 6 LED red
- 7 7-segment LCD display
- 8 LED green



Product characteristics

| | |
|-----------------|----------------|
| Type of light | infrared light |
| Dimensions [mm] | 1161 x 35 x 45 |



Safety light curtain

OYA1060-14-4-05-P-1-B

| Application | | |
|--|------|--|
| Protective function | | access prevention finger protection |
| Electrical data | | |
| Operating voltage tolerance | [%] | 20 |
| Operating voltage | [V] | 24 DC |
| Protection class | | III |
| Reverse polarity protection | | yes |
| Power-on delay time | [s] | < 18 |
| Type of light | | infrared light |
| Wave length | [nm] | 950 |
| Receiver | | |
| Current consumption | [mA] | 125 |
| Transmitter | | |
| Current consumption | [mA] | 83 |
| Outputs | | |
| Electrical design | | PNP |
| Number of OSSD outputs | | 2 |
| Max. current load per OSSD output | [mA] | 500; (24 V) |
| Short-circuit protection | | yes |
| Detection zone | | |
| Protected area height | [mm] | 1060 |
| Resolution (detection capacity d) | [mm] | 14 |
| Protection area width (low light intensity) | [m] | 0...3 |
| Protection area width (high light intensity) | [m] | 0...5 |
| Floating blanking | | yes |
| Response times | | |
| Response time | [ms] | 17 |
| Operating conditions | | |
| Applications | | class C to EN 60654-1 weatherproof application |
| Ambient temperature | [°C] | 0...55 |
| Max. relative air humidity | [%] | 95 |
| Protection | | IP 65 |
| Tests / approvals | | |
| EMC | | IEC 61496-1 |
| Shock resistance | | IEC 61496-1 |
| Vibration resistance | | IEC 61496-1 |

OY807S



Safety light curtain

OYA1060-14-4-05-P-1-B

Safety classification

| | |
|---------------------------------------|------------------|
| ESPE type (IEC 61496-1) | 4 |
| ISO 13849-1 | category 4, PL e |
| IEC 61508 | SIL 3 |
| IEC 62061 | SIL cl 3 |
| Mission time TM [h] | 175200 |
| Safety-related reliability PFHD [1/h] | 1.9 E -08 |

Mechanical data

| | |
|-----------------|------------------------------------|
| Weight [g] | 5475 |
| Dimensions [mm] | 1161 x 35 x 45 |
| Materials | housing: aluminium; front lens: PC |
| Length L [mm] | 1161 |

Displays / operating elements

| | | |
|---------|-------------|-------------------------|
| Display | transmitter | 3 LED |
| | transmitter | 1 7-segment LCD display |
| | receiver | 3 LED |
| | receiver | 1 7-segment LCD display |

Accessories

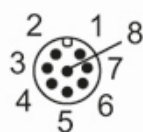
| | |
|------------------------|---------------------|
| Accessories (supplied) | mounting bracket: 4 |
| | slot nuts: 4 |
| | screws |

Remarks

| | |
|---------------|---|
| Notes | For 8-pole sockets the core colours are not standardised.; Please note the wiring of the sensor and the sockets (see data sheet). |
| Pack quantity | 1 pcs. |

Electrical connection - receiver

Connector: 1 x M12; Maximum cable length: 100 m; for wire cross-section 0.34 mm²



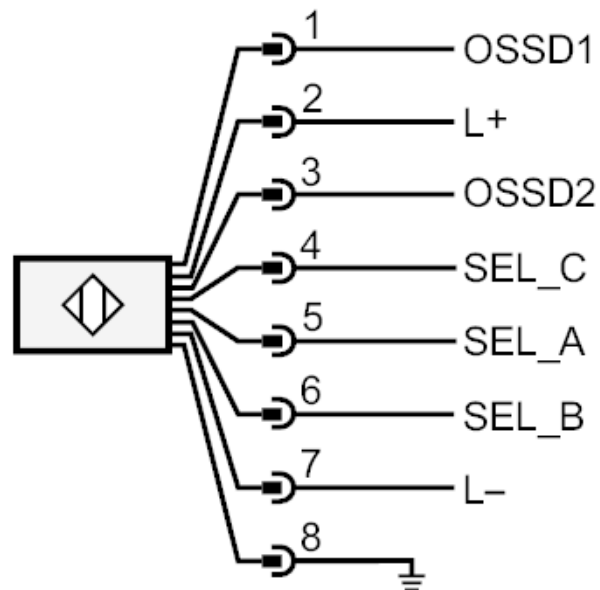
OY807S



Safety light curtain

OYA1060-14-4-05-P-1-B

Connection



Electrical connection - transmitter

Connector: 1 x M12



OY807S



Safety light curtain

OYA1060-14-4-05-P-1-B

Connection

