

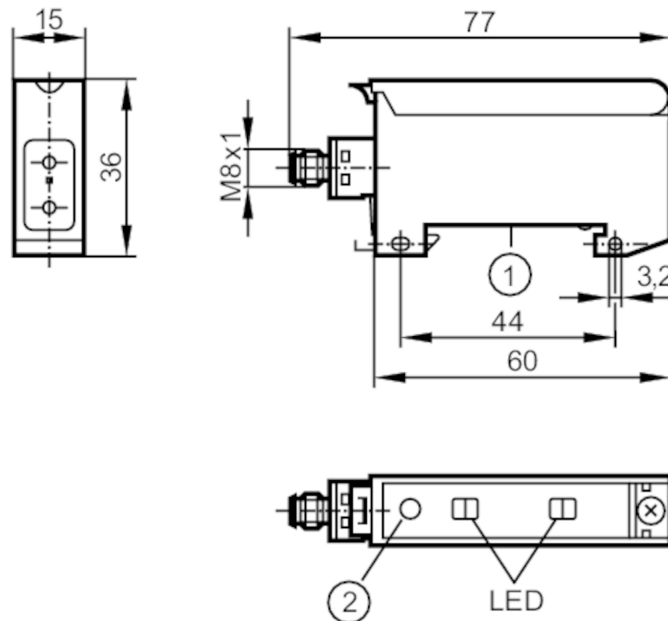
# OB5031



## Fibre-optic amplifier

OBF-FPKG/AS

Article no longer available - archive entry



- 1 mounting on DIN rail
- 2 setting pushbuttons

### Product characteristics

Type of light	red light
Housing	rectangular
Dimensions [mm]	36 x 15 x 60

### Application

Design	for fibre optics with metal sheath FE/FT-50
--------	---

### Electrical data

Operating voltage [V]	10...30 DC
Current consumption [mA]	< 35
Protection class	III
Reverse polarity protection	yes
Type of light	red light
Wave length [nm]	660

### Outputs

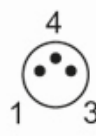
Electrical design	PNP
Output function	light-on/dark-on mode; (parameterisable)
Max. voltage drop switching output DC [V]	2.5
Permanent current rating of switching output DC [mA]	100
Switching frequency DC [Hz]	500
Short-circuit protection	yes
Type of short-circuit protection	pulsed
Overload protection	yes

# OB5031



## Fibre-optic amplifier

OBF-FPKG/AS

Detection zone		
Range [m]	0...1; (Through-beam sensor)	
Range [mm]	0...150; (Diffuse reflection sensor)	
Range adjustable	yes	
Operating conditions		
Ambient temperature [°C]	-25...60	
Protection	IP 65	
Tests / approvals		
EMC	EN 60947-5-2	
MTTF [years]	515	
Mechanical data		
Housing	rectangular	
Dimensions [mm]	36 x 15 x 60	
Materials	ABS	
Lens material	PMMA	
Displays / operating elements		
Display	switching status	1 x LED, yellow
	operation	1 x LED, green
	unsafe zone	1 x LED, red
Remarks		
Remarks	light-on mode corresponds to the NC output function for through-beam fibre optics corresponds to the NO output function for diffuse-reflection fibre optics	
	dark-on mode corresponds to the NO output function for through-beam fibre optics corresponds to the NC output function for diffuse-reflection fibre optics	
Pack quantity	1 pcs.	
Electrical connection		
Connector: 1 x M8		
		

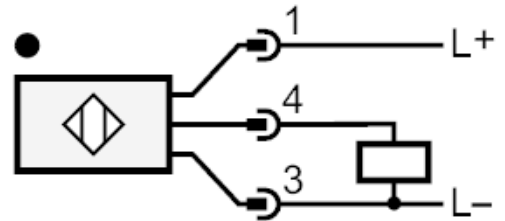
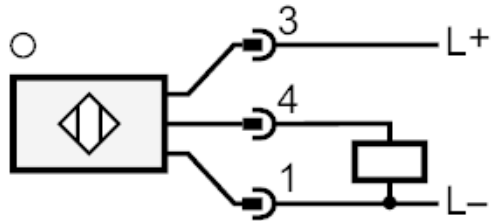
# OB5031



## Fibre-optic amplifier

OBF-FPKG/AS

### Connection



Article no longer available - archive entry