

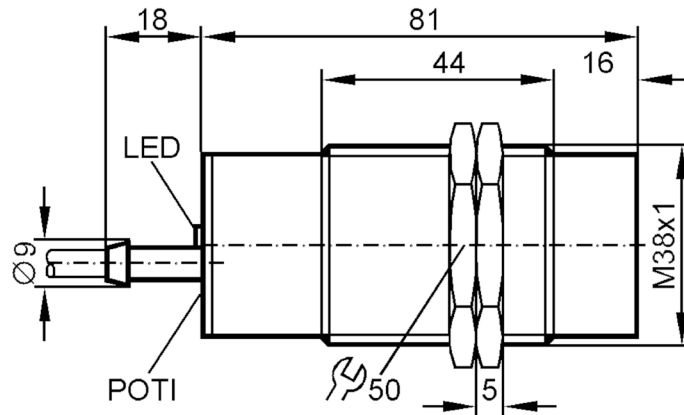
KK7001

Capacitive sensor

SKK-3020-BPKG



Article no longer available - archive entry



Product characteristics

Electrical design		PNP
Output function		normally open
Sensing range	[mm]	4...20
Housing		threaded type
Dimensions	[mm]	M38 x 1.5

Electrical data

Operating voltage	[V]	10...36 DC
Current consumption	[mA]	10; (24 V)
Protection class		II
Reverse polarity protection		yes

Outputs

Electrical design		PNP
Output function		normally open
Max. voltage drop switching output DC	[V]	2.5
Permanent current rating of switching output DC	[mA]	250
Switching frequency DC	[Hz]	40
Short-circuit protection		yes
Type of short-circuit protection		pulsed
Overload protection		yes

KK7001



Capacitive sensor

SKK-3020-BPKG

Detection zone		
Sensing range	[mm]	4...20
Sensing range adjustable		yes
Factory setting sensing range	[mm]	20
Real sensing range Sr	[mm]	20 ± 10 %
Operating distance	[mm]	0...16.2
Accuracy / deviations		
Correction factor		glass: 0.4 / water: 1 / ceramics: 0.2 / PVC: 0.2
Hysteresis	[% of Sr]	1...15
Switch point drift	[% of Sr]	-15...15
Operating conditions		
Ambient temperature	[°C]	-25...80
Protection		IP 65
Tests / approvals		
EMC		EN 60947-5-2
Mechanical data		
Housing		threaded type
Mounting		non-flush mountable
Dimensions	[mm]	M38 x 1.5
Thread designation		M38 x 1.5
Materials		brass white bronze coated; PBT
Displays / operating elements		
Display	switching status	1 x LED, yellow
Accessories		
Accessories (supplied)		lock nuts: 2 screwdriver: 1
Remarks		
Pack quantity		1 pcs.

KK7001



Capacitive sensor

SKK-3020-BPKG

Electrical connection

Cable: 2 m, PVC; 3 x 0.5 mm²

Connection



Core colours :

BK = black
BN = brown
BU = blue

Article no longer available - archive entry