

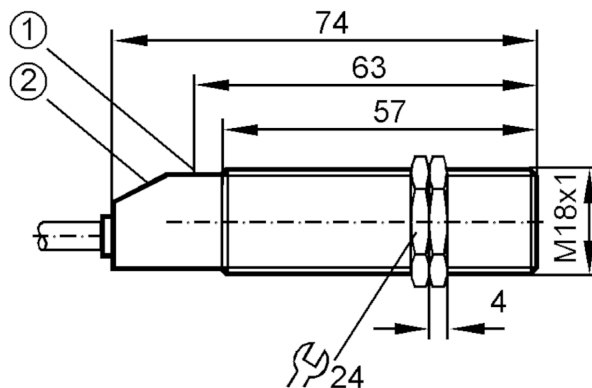
KG0006



Capacitive sensor

KG-2008-ABOA/NI

Article no longer available - archive entry



- 1 pushbutton
- 2 LED 3 x



Product characteristics

| | | |
|-----------------|------|---------------|
| Output function | | normally open |
| Sensing range | [mm] | 2.5...8 |
| Housing | | threaded type |
| Dimensions | [mm] | M18 x 1 |

Application

| | | |
|-----------------|--|---------------------|
| Special feature | | Optical setting aid |
|-----------------|--|---------------------|

Electrical data

| | | |
|-----------------------------|-----|---------------------------|
| Operating voltage | [V] | 30...250 AC / 20...250 DC |
| Protection class | | II |
| Reverse polarity protection | | no |

KG0006



Capacitive sensor

KG-2008-ABOA/NI

| Outputs | | |
|--|--|-----------------|
| Output function | normally open | |
| Max. voltage drop switching output DC [V] | 8 | |
| Max. voltage drop switching output AC [V] | 10 | |
| Minimum load current [mA] | 5 | |
| Max. leakage current [mA] | 2.5 (250 V AC) / 2.2 (110 V AC) / 2.0 (24 V DC) | |
| Permanent current rating of switching output AC [mA] | 90; (180 (...40 °C)) | |
| Permanent current rating of switching output DC [mA] | 90; (180 (...40 °C)) | |
| Short-time current rating of switching output [mA] | 1000; (20 ms / 0,5 Hz) | |
| Switching frequency AC [Hz] | 20 | |
| Switching frequency DC [Hz] | 20 | |
| Short-circuit proof | no | |
| Overload protection | no | |
| Detection zone | | |
| Sensing range [mm] | 2.5...8 | |
| Sensing range adjustable | yes | |
| Factory setting sensing range [mm] | 8 | |
| Accuracy / deviations | | |
| Correction factor | glass: 0.4 / water: 1 / ceramics: 0.2 / PVC: 0.2 | |
| Hysteresis [% of Sr] | 1...15 | |
| Switch point drift [% of Sr] | -15...15 | |
| Operating conditions | | |
| Ambient temperature [°C] | -25...80 | |
| Protection | IP 65 | |
| Increased immunity | yes | |
| Tests / approvals | | |
| EMC | IEC 60947-5-2 | |
| Mechanical data | | |
| Housing | threaded type | |
| Mounting | non-flush mountable | |
| Dimensions [mm] | M18 x 1 | |
| Thread designation | M18 x 1 | |
| Materials | PBT | |
| Displays / operating elements | | |
| Display | switching status | 1 x LED, yellow |
| | setting aid | 1 x LED, red |
| Optical setting aid | yes | |
| Electrical connection | | |
| Required protection | miniature fuse to IEC60127-2 sheet 1; ≤ 2 A; fast acting | |

KG0006



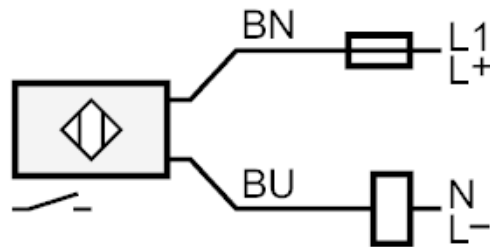
Capacitive sensor

KG-2008-ABOA/NI

| Accessories | |
|------------------------|---|
| Accessories (supplied) | lock nuts: 2 |
| Remarks | |
| Remarks | Recommendation: Check the safe functioning of the unit after a short circuit. |
| Pack quantity | 1 pcs. |

| Electrical connection | |
|---|--|
| Cable: 2 m, PVC; 2 x 0.34 mm ² | |

Connection



Note miniature fuse to IEC60127-2 sheet 1 \leq 2 A fast acting

Article no longer available - [archive entry](#)