

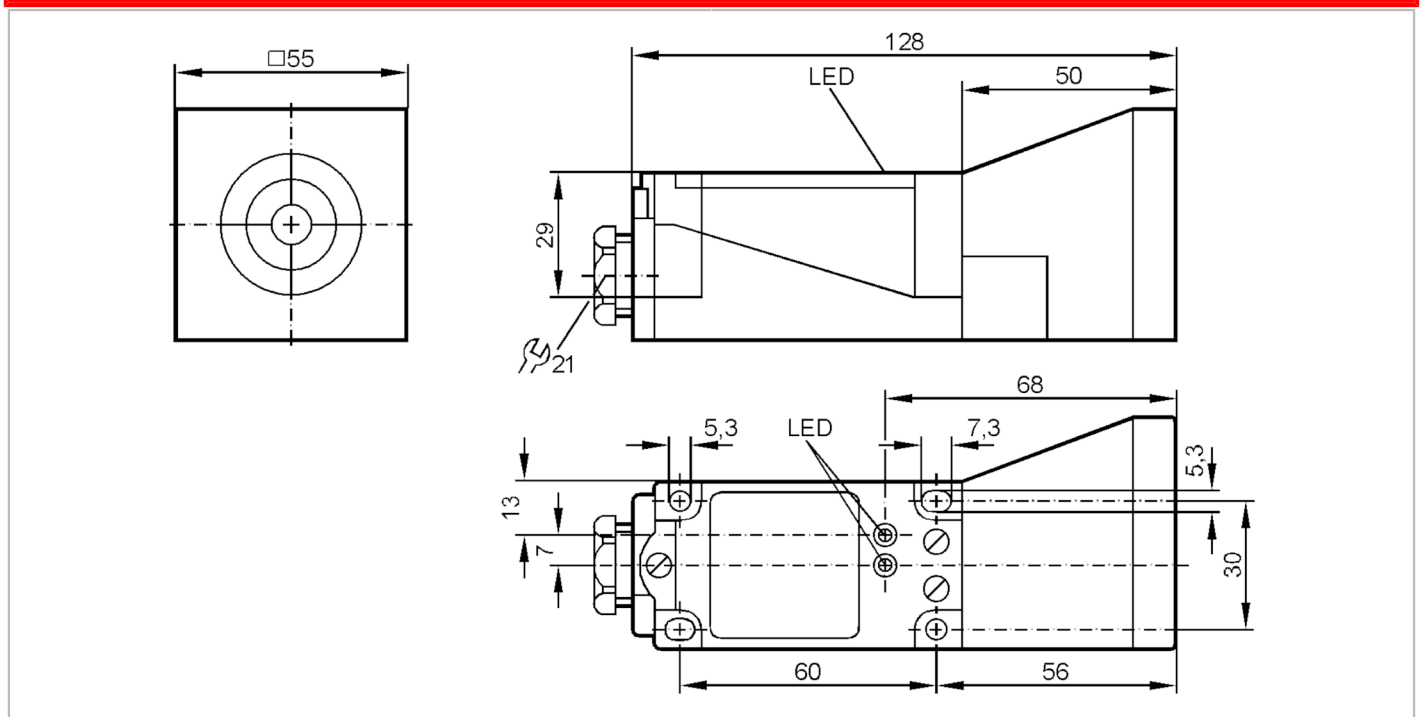
IV5048



Inductive sensor

IVE4040-CNKG

Article no longer available - archive entry



Product characteristics

Electrical design		NPN
Output function		complementary
Sensing range	[mm]	40
Housing		rectangular
Dimensions	[mm]	55 x 55 x 128

Electrical data

Operating voltage	[V]	10...30 DC
Current consumption	[mA]	20; (24 V)
Protection class		II
Reverse polarity protection		yes

Outputs

Electrical design		NPN
Output function		complementary
Max. voltage drop switching output DC	[V]	3
Permanent current rating of switching output DC	[mA]	200
Switching frequency DC	[Hz]	100
Short-circuit protection		yes
Type of short-circuit protection		pulsed
Overload protection		yes

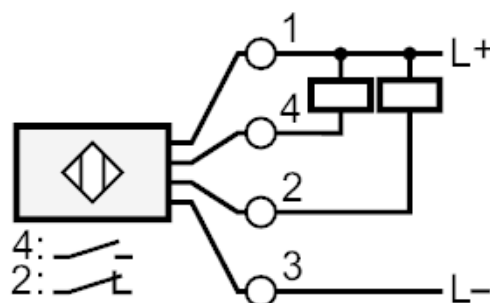
IV5048



Inductive sensor

IVE4040-CNKG

Detection zone		
Sensing range	[mm]	40
Real sensing range Sr	[mm]	40 ± 10 %
Operating distance	[mm]	0...32.4
Accuracy / deviations		
Correction factor		steel: 1 / stainless steel: 0.7 / brass: 0.4 / aluminium: 0.3 / copper: 0.2
Hysteresis	[% of Sr]	1...15
Switch point drift	[% of Sr]	-10...10
Operating conditions		
Ambient temperature	[°C]	-25...70
Protection		IP 67
Tests / approvals		
EMC	EN 60947-5-2	class B
	EN 55011	
Mechanical data		
Housing		rectangular
Mounting		non-flush mountable
Dimensions	[mm]	55 x 55 x 128
Materials		PBT
Displays / operating elements		
Display	switching status	1 x LED, yellow
	operation	1 x LED, green
Remarks		
Remarks	5 positions of the active zone possible Cable gland (E11270) to be ordered separately	
Pack quantity	1 pcs.	
Electrical connection		
terminals: ...2.5 mm ²		
Connection		



Article no longer available - archive entry

IV5048

Inductive sensor

IVE4040-CNKG

