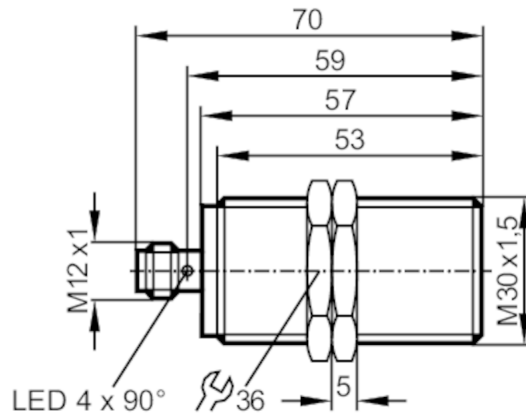




## Inductive sensor

IIK3010-BPKG/M/US104-DPS



### Product characteristics

Electrical design		PNP
Output function		normally open
Sensing range	[mm]	10
Housing		threaded type
Dimensions	[mm]	M30 x 1.5 / L = 70

### Application

Special feature		Gold-plated contacts
Application		Industrial applications / factory automation

### Electrical data

Operating voltage	[V]	10...36 DC
Current consumption	[mA]	< 10
Protection class		II
Reverse polarity protection		yes

### Outputs

Electrical design		PNP
Output function		normally open
Max. voltage drop switching output DC	[V]	2.5
Permanent current rating of switching output DC	[mA]	100
Switching frequency DC	[Hz]	100
Short-circuit protection		yes
Type of short-circuit protection		pulsed
Overload protection		yes

### Detection zone

Sensing range	[mm]	10
Real sensing range $S_r$	[mm]	$10 \pm 10 \%$
Operating distance	[mm]	0...8.1

# IIS214



## Inductive sensor

IIK3010-BPKG/M/US104-DPS

### Accuracy / deviations

Correction factor	steel: 1 / stainless steel: 0.7 / brass: 0.5 / aluminium: 0.5 / copper: 0.4	
Hysteresis [% of Sr]	1...20	
Switch point drift [% of Sr]	-10...10	

### Operating conditions

Ambient temperature [°C]	-25...70	
Protection	IP 67	

### Tests / approvals

EMC	EN 61000-4-2 ESD	4 kV CD / 8 kV AD
	EN 61000-4-3 HF radiated	10 V/m
	EN 61000-4-4 Burst	2 kV
	EN 61000-4-5 Surge	0,5 kV
	EN 61000-4-6 HF conducted	10 V
MTTF [years]	EN 55011	class B
		1709
UL approval	Ta	0...40 °C
	Enclosure type	Type 1
	voltage supply	Limited Voltage/Current
	File number UL	E174191

### Mechanical data

Weight [g]	126.5	
Housing	threaded type	
Mounting	flush mountable	
Dimensions [mm]	M30 x 1.5 / L = 70	
Thread designation	M30 x 1.5	
Materials	stainless steel (1.4404 / 316L); sensing face: PBT orange	

### Displays / operating elements

Display	switching status	4 x 90° LED, yellow
---------	------------------	---------------------

### Accessories

Accessories (supplied)	lock nuts: 2	
------------------------	--------------	--

### Remarks

Pack quantity	1 pcs.	
---------------	--------	--

### Electrical connection - plug

Connector: 1 x M12; Contacts: gold-plated



# IIS214



## Inductive sensor

IIK3010-BPKG/M/US104-DPS

### Connection

