

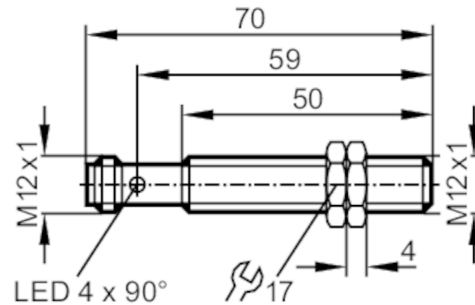


Inductive sensor

IFK3003-BPKG/M/US-104-DPS/K0

Article no longer available - archive entry

Alternative article: IFC263 When selecting an alternative article and accessories please note that technical data may differ! – When selecting an alternative article and accessories please note that technical data may differ!



Product characteristics

Electrical design		PNP
Output function		normally open
Sensing range	[mm]	3
Housing		threaded type
Dimensions	[mm]	M12 x 1 / L = 70

Application

Special feature		Gold-plated contacts; Increased sensing range
Application		Use in machine tools, coolants and lubricants
Media		ferrous only; aluminium chip immune

Electrical data

Operating voltage	[V]	10...30 DC
Current consumption	[mA]	< 10
Protection class		III
Reverse polarity protection		yes

Outputs

Electrical design		PNP
Output function		normally open
Max. voltage drop switching output DC	[V]	2.5
Max. leakage current	[mA]	0.1
Permanent current rating of switching output DC	[mA]	200
Switching frequency DC	[Hz]	25
Short-circuit protection		yes
Type of short-circuit protection		pulsed
Overload protection		yes

IFC211



Inductive sensor

IFK3003-BPKG/M/US-104-DPS/K0

Detection zone		
Sensing range	[mm]	3
Real sensing range Sr	[mm]	3 ± 10 %
Operating distance	[mm]	0...2.4
Increased sensing range		yes

Operating conditions		
Ambient temperature	[°C]	0...60
Protection		IP 68; ("Coolant")

Tests / approvals		
EMC	EN 61000-4-2 ESD	4 kV CD / 8 kV AD
	EN 61000-4-3 HF radiated	10 V/m
	EN 61000-4-4 Burst	2 kV
	EN 61000-4-6 HF conducted	10 V
	EN 55011	class B
MTTF	[years]	1423

Mechanical data		
Housing		threaded type
Mounting		flush mountable
Dimensions	[mm]	M12 x 1 / L = 70
Thread designation		M12 x 1
Materials		brass white bronze coated; sensing face: stainless steel (1.4305 / 303)

Displays / operating elements		
Display	switching status	4 x 90° LED, yellow

Accessories		
Accessories (supplied)		lock nuts: 2

Remarks		
Pack quantity		1 pcs.

Electrical connection - plug

Connector: 1 x M12; Contacts: gold-plated



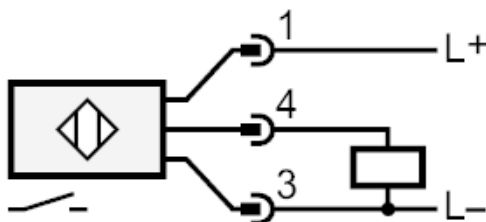
IFC211



Inductive sensor

IFK3003-BPKG/M/US-104-DPS/K0

Connection



Article no longer available - archive entry

Alternative article: IFC263 When selecting an alternative article and accessories please note that technical data may differ! – When selecting an alternative article and accessories please note that technical data may differ!