

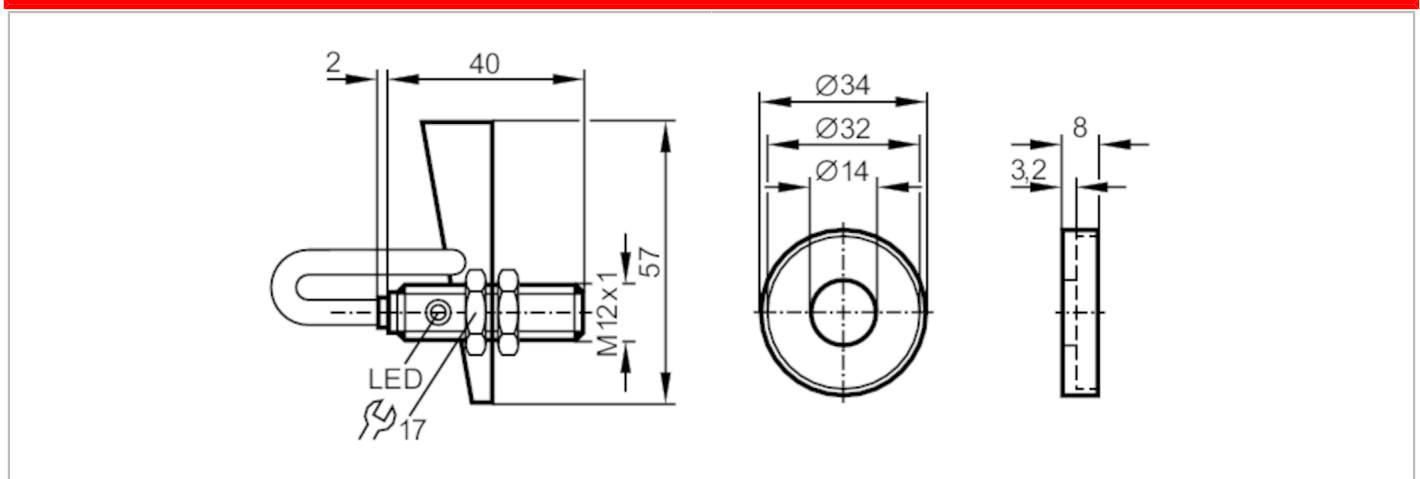
# IF7016



## Inductive sensor

IFC-04-ARKG SS-H-S

Article no longer available - archive entry



### Product characteristics

Electrical design		PNP/NPN
Output function		normally open
Sensing range	[mm]	4
Housing		threaded type
Dimensions	[mm]	M12 x 1 / L = 42

### Application

Installation		for valves; (38...63,5 (NW 40...65))
--------------	--	--------------------------------------

### Electrical data

Operating voltage	[V]	10...36 DC
Protection class		III
Reverse polarity protection		yes

### Outputs

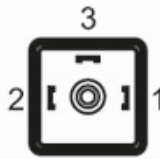
Electrical design		PNP/NPN
Output function		normally open
Max. voltage drop switching output DC	[V]	4.6
Minimum load current	[mA]	4
Max. leakage current	[mA]	0.6
Permanent current rating of switching output DC	[mA]	150
Switching frequency DC	[Hz]	1500
Short-circuit protection		yes
Type of short-circuit protection		pulsed
Overload protection		yes

# IF7016



## Inductive sensor

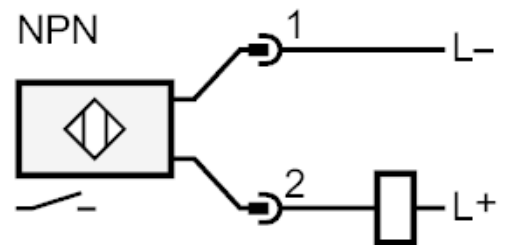
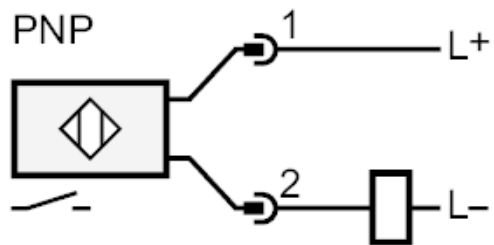
IFC-04-ARKG SS-H-S

Detection zone		
Sensing range	[mm]	4
Real sensing range Sr	[mm]	4 ± 10 %
Operating distance	[mm]	0...3.25
Accuracy / deviations		
Correction factor		steel: 1 / stainless steel: 0.7 / brass: 0.4 / aluminium: 0.3 / copper: 0.2
Hysteresis	[% of Sr]	1...15
Switch point drift	[% of Sr]	-10...10
Operating conditions		
Ambient temperature	[°C]	-25...80
Protection		IP 65
Tests / approvals		
EMC	EN 60947-5-2 EN 55011	class B
Mechanical data		
Weight	[g]	0.001
Housing		threaded type
Mounting		non-flush mountable
Dimensions	[mm]	M12 x 1 / L = 42
Thread designation		M12 x 1
Materials		PBT; Target: stainless steel (1.4301 / 304)
Displays / operating elements		
Display	switching status	1 x LED, yellow
Accessories		
Accessories (supplied)		lock nuts: 2 Target
Remarks		
Remarks		Note: The sensors are adjusted with the enclosed target flag. If an older type of target flag is used, there is a risk of mechanical damage to the sensor if they are not adjusted properly.
Pack quantity		1 pcs.
Electrical connection - plug		
Connector: 1 x valve plug type A DIN (DIN EN 175301-803)		
		

# IF7016

## Inductive sensor

IFC-04-ARKG SS-H-S



Article no longer available - archive entry