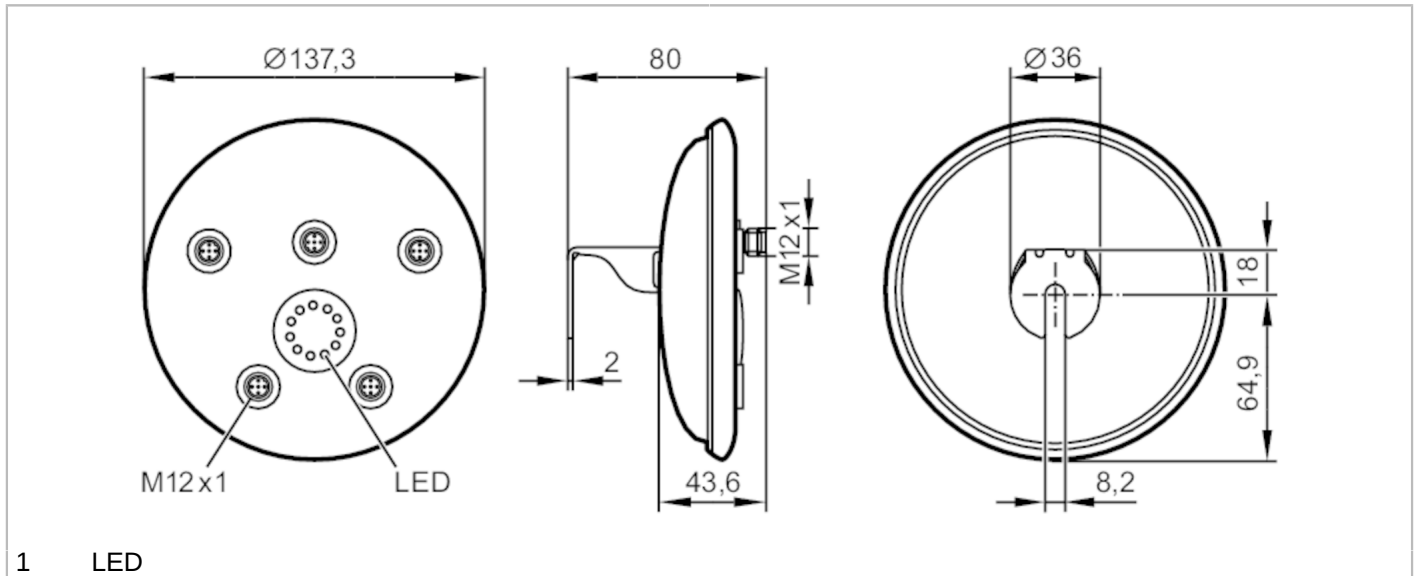


AC2916



AS-Interface ProcessLine module

ProcessLine 4AI C IP69K



| Electrical data | |
|---|--|
| Operating voltage [V] | 26.5...31.6 DC |
| Max. current consumption from AS-i [mA] | 450 |
| Reverse polarity protection | yes |
| Inputs / outputs | |
| Number of inputs and outputs | Number of analogue inputs: 4 |
| Inputs | |
| Number of analogue inputs | 4; (Anschluss von 2- und 3-Draht-Sensoren) |
| Sensor supply of the inputs | AS-i |
| Digital inputs protected against short circuits | yes |
| Analogue input (current) [mA] | 4...20 |
| Max. voltage drop across load for nominal voltage [V] | 10 |
| Resolution of analogue input | 12 (1 bit = 1 µA) |
| Operating conditions | |
| Ambient temperature [°C] | -5...70 |
| Protection | IP 68; IP 69K |
| Tests / approvals | |
| EMC | EN 50295 |
| MTTF [years] | 98 |



AS-Interface ProcessLine module

ProcessLine 4AI C IP69K

| AS-i classification | |
|-----------------------------------|------------|
| AS-i version | 2.11 + 3.0 |
| Extended addressing mode possible | no |
| AS-i profile | S-7.3.E |
| AS-i I/O configuration [hex] | 7 |
| AS-i ID code [hex] | 3.E |
| AS-i certificate | 101108 |

| Mechanical data | |
|-----------------|--|
| Weight [g] | 607 |
| Dimensions [mm] | 137.3 x 80 x 137.3 |
| Materials | threaded bush: stainless steel (1.4404 / 316L); PC; O-ring: EPDM |

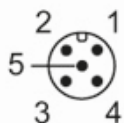
| Displays / operating elements | | |
|-------------------------------|-----------|--------------------------------|
| Display | operation | LED, green Voltage AS-i |
| | errors | LED, red |
| | function | LED, yellow channels AI1...AI4 |

| Accessories | |
|------------------------|--|
| Accessories (optional) | Protective cap: M12, E70297 |
| | Flat cable insulation displacement connector, E70454 |
| | Torque wrench, E70390 |

| Remarks | |
|---------------|---|
| Remarks | When the sensors and actuators are supplied from AS-i the load must not exceed a maximum of 380 mA. |
| | The load for an individual sensor connection must not exceed 200 mA. |
| | There is an electrical connection between the sensor and AS-i. |
| Pack quantity | 1 pcs. |

| Electrical connection - AS-i | |
|------------------------------|-----------------------|
| 1: | AS-i + |
| 2: | n.c. |
| 3: | AS-i - |
| 4: | n.c. |
| 5: | functional earth (FE) |

Connector: 1 x M12





AS-Interface ProcessLine module

ProcessLine 4AI C IP69K

Electrical connection - Process connection

| | Inputs |
|---|-------------------------|
| 1 | Sensor supply 24 V |
| 2 | AI+ |
| 3 | Sensor supply 0 V / AI- |
| 4 | n.c. |
| 5 | functional earth (FE) |

Connector: 4 x M12

