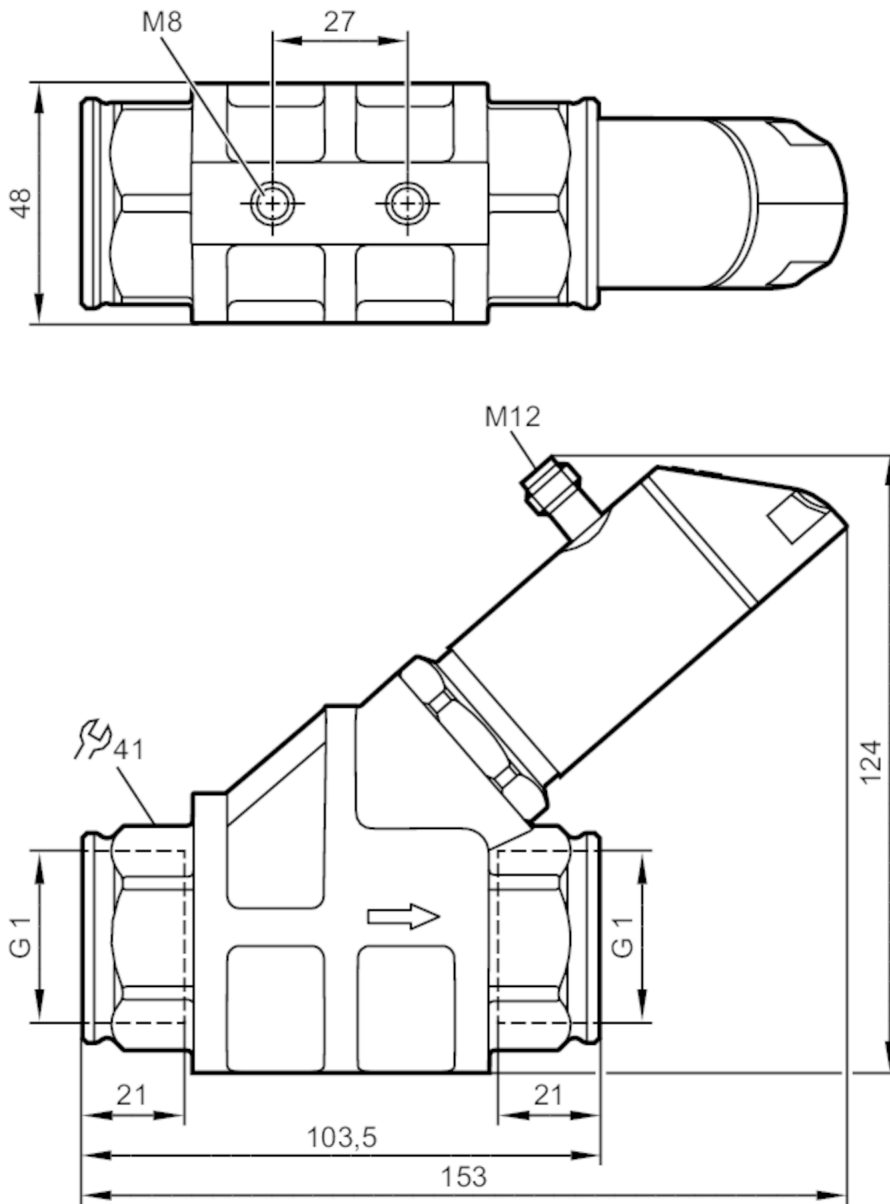


SB5242



Flow meter with integrated backflow prevention and display

SBG11KL0FRKG



Product characteristics				
Measuring range	0.6...15 l/min	0.036...0.9 m ³ /h	9.6...237.8 gph	0.16...3.965 gpm
Process connection	threaded connection G 1 internal thread			
Application				
Special feature	Gold-plated contacts			
Media	Liquids; oils (viscosity 150 mm ² /s at 40 °C)			
Medium temperature [°C]	-10...100			
Pressure rating [bar]	100			
Pressure rating [MPa]	10			
Note on pressure rating	at medium temperature >70°C: 80 bar / 8 MPa			



Flow meter with integrated backflow prevention and display

SBG11KL0FRKG

Electrical data					
Operating voltage	[V]	18...30 DC; (to SELV/PELV)			
Current consumption	[mA]	< 50			
Protection class		III			
Reverse polarity protection		yes			
Power-on delay time	[s]	< 3			
Outputs					
Total number of outputs		2			
Output signal		switching signal; analogue signal; frequency signal; IO-Link			
Max. voltage drop switching output DC	[V]	2			
Max. current load per output	[mA]	150; (200: ...60 °C; Ambient temperature; 250: ...40 °C; Ambient temperature)			
Analogue current output	[mA]	4...20			
Max. load	[Ω]	500			
Short-circuit protection		yes			
Overload protection		yes			
Frequency of the output	[Hz]	0...10000			
Measuring/setting range					
Measuring range		0.6...15 l/min	0.036...0.9 m ³ /h	9.6...237.8 gph	0.16...3.965 gpm
Display range		0...18 l/min	0...1.08 m ³ /h	0...285.4 gph	0...4.755 gpm
Resolution		0.01 l/min	0.001 m ³ /h	0.1 gph	0.001 gpm
Set point SP		0.1...15 l/min	0.006...0.9 m ³ /h	1.6...237.8 gph	0.025...3.965 gpm
Reset point rP		0...14.9 l/min	0...0.894 m ³ /h	0...236.2 gph	0...3.935 gpm
Frequency end point, FEP		1...15 l/min	0.06...0.9 m ³ /h	15.8...237.8 gph	0.265...3.965 gpm
In steps of		0.01 l/min	0.001 m ³ /h	0.2 gph	0.005 gpm
Frequency at the end point FRP	[Hz]	10...10000			
In steps of	[Hz]	10			
Measuring dynamics		1:50			
Temperature monitoring					
Measuring range		-10...100 °C		14...212 °F	
Display range		-32...122 °C		-25.6...251.6 °F	
Resolution		0.1 °C		0.1 °F	
Set point SP		-9.3...100 °C		15.2...212 °F	
Reset point rP		-10...99.3 °C		14...210.8 °F	
In steps of		0.1 °C		0.2 °F	
Frequency start point, FSP		-10...78 °C		14...172.4 °F	
Frequency end point, FEP		12...100 °C		53.6...212 °F	
Frequency at the end point FRP	[Hz]	10...10000			
Accuracy / deviations					
Flow monitoring					
Accuracy (in the measuring range)		± 5 % MEW; (Q > 1 l/min; 20...70 °C Medium temperature)			
Repeatability		± 1 % MEW			



Flow meter with integrated backflow prevention and display

SBG11KL0FRKG

Temperature monitoring					
Temperature drift		0,029 °C / K			
Accuracy	[K]	3 K (25°C; Q > 1 l/min)			
Response times					
Flow monitoring					
Response time	[s]	0.01			
Damping process value dAP	[s]	0...5			
In steps of	[s]	0.1			
Damping for the analogue output dAA	[s]	0...5			
In steps of	[s]	0.1			
Temperature monitoring					
Dynamic response T05 / T09	[s]	T09 = 120 (Q > 1 l/min)			
Software / programming					
Parameter setting options	hysteresis / window; normally open / normally closed; switching logic; current/frequency output; damping for the switching output / analogue output; display can be rotated and switched off; standard unit of measurement; process value colour; calibration factor				
Interfaces					
Communication interface	IO-Link				
Transmission type	COM2 (38,4 kBaud)				
IO-Link revision	1.1				
SDCI standard	IEC 61131-9 CDV				
Profiles	Smart Sensor: Process Data Variable; Device Identification, Device Diagnosis				
SIO mode	yes				
Required master port type	A				
Process data analogue	2				
Process data binary	2				
Min. process cycle time	[ms]	3.2			
Supported DeviceIDs	<table border="1"> <thead> <tr> <th>Type of operation</th> <th>DeviceID</th> </tr> </thead> <tbody> <tr> <td>default</td> <td>1043</td> </tr> </tbody> </table>	Type of operation	DeviceID	default	1043
Type of operation	DeviceID				
default	1043				
Operating conditions					
Ambient temperature	[°C]	0...60			
Note on ambient temperature	medium temperature < 80 °C medium temperature < 100 °C: 0...40 °C				
Storage temperature	[°C]	-15...80			
Protection	IP 65; IP 67				
Tests / approvals					
EMC	DIN EN 61000-6-2 DIN EN 61000-6-3				
Shock resistance	DIN EN 60068-2-27	20 g (11 ms)			
Vibration resistance	DIN EN 60068-2-6	5 g (10...2000 Hz)			
MTTF	[years]	145			
UL approval	UL Approval no.	I006			
Pressure Equipment Directive	Sound engineering practice				

SB5242



Flow meter with integrated backflow prevention and display

SBG11KL0FRKG

Mechanical data	
Weight [g]	1581
Materials	stainless steel (316L/1.4404); PBT+PC-GF30; PBT-GF20; PC; brass chemically nickel-plated
Materials (wetted parts)	stainless steel (316 / 1.4401); stainless steel (316L/1.4404); brass (2.0371); brass chemically nickel-plated; PPS; O-ring: FKM
Process connection	threaded connection G 1 internal thread
Switching cycles mechanical	10 million

Displays / operating elements		
Display	Display unit	6 x LED, green
	switching status	2 x LED, yellow
	measured values	alphanumeric display, red/green alternating indication 4-digit
	programming	alphanumeric display, 4-digit

Remarks	
Remarks	Recommendation: use a 200-micron filter.
	All data refer to oil with the following nominal viscosity: 150 mm ² /s, 40 °C
	MW = measured value
	MEW = Final value of the measuring range
Pack quantity	1 pcs.

Electrical connection

Connector: 1 x M12; coding: A; Contacts: gold-plated





Flow meter with integrated backflow prevention and display

SBG11KL0FRKG

Connection



OUT1:

- switching output volumetric flow quantity monitoring
- switching output Temperature monitoring
- frequency output volumetric flow quantity monitoring
- frequency output Temperature monitoring
- IO-Link

OUT2:

- switching output volumetric flow quantity monitoring
- switching output Temperature monitoring
- analogue output volumetric flow quantity monitoring
- analogue output Temperature monitoring
- colours to DIN EN 60947-5-2

Core colours :

- BK = black
- BN = brown
- BU = blue
- WH = white

Diagrams and graphs

