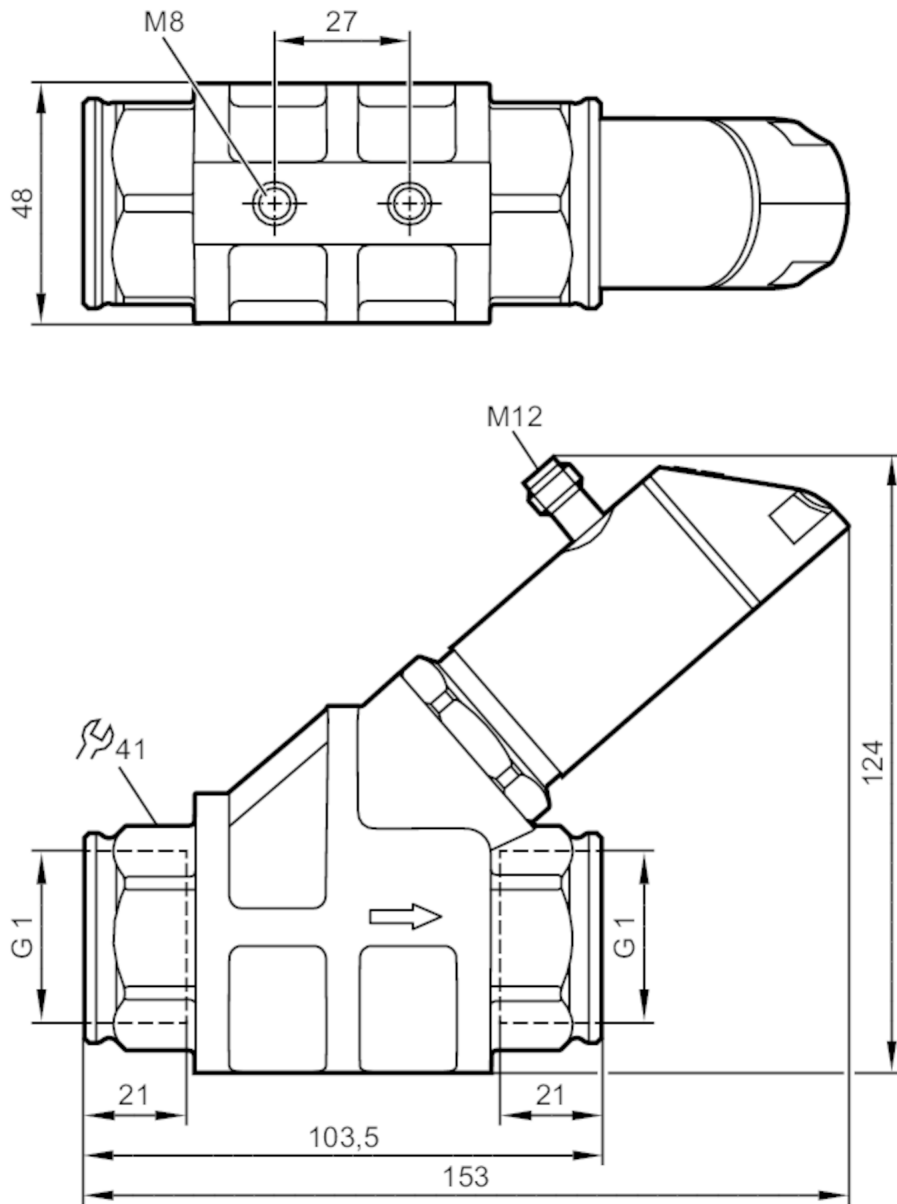


# SB3246



Flow meter with integrated backflow prevention and display

SBG11KL0FRKG



Product characteristics				
Measuring range	2...100 l/min	0.12...6 m³/h	32...1586 gph	0.55...26.4 gpm
Process connection	threaded connection G 1 internal thread			
Application				
Special feature	Gold-plated contacts			
Media	Liquids; oils (viscosity 68 mm²/s at 40 °C)			
Medium temperature [°C]	-10...100			
Pressure rating [bar]	100			
Pressure rating [MPa]	10			
Note on pressure rating	at medium temperature >70°C: 80 bar / 8 MPa			



## Flow meter with integrated backflow prevention and display

SBG11KL0FRKG

Electrical data	
Operating voltage [V]	18...30 DC; (to SELV/PELV)
Current consumption [mA]	< 50
Protection class	III
Reverse polarity protection	yes
Power-on delay time [s]	< 3

Outputs	
Total number of outputs	2
Output signal	switching signal; analogue signal; frequency signal; IO-Link
Output function	normally open / normally closed; (parameterisable)
Max. voltage drop switching output DC [V]	2
Max. current load per output [mA]	150; (200: ...60 °C; Ambient temperature; 250: ...40 °C; Ambient temperature)
Analogue current output [mA]	4...20
Max. load [Ω]	500
Short-circuit protection	yes
Overload protection	yes
Frequency of the output [Hz]	0...10000

Measuring/setting range				
Measuring range	2...100 l/min	0.12...6 m³/h	32...1586 gph	0.55...26.4 gpm
Display range	0...120 l/min	0...7.2 m³/h	0...1902 gph	0...31.7 gpm
Resolution	0.1 l/min	0.01 m³/h	1 gph	0.01 gpm
Set point SP	0.7...100 l/min	0.04...6 m³/h	10...1586 gph	0.15...26.4 gpm
Reset point rP	0...99.3 l/min	0...5.96 m³/h	0...1574 gph	0...26.25 gpm
Frequency end point, FEP	6.7...100 l/min	0.4...6 m³/h	106...1586 gph	1.75...26.4 gpm
In steps of	0.1 l/min	0.01 m³/h	2 gph	0.05 gpm
Frequency at the end point FRP [Hz]	10...10000			
In steps of [Hz]	10			
Measuring dynamics	1:50			

Temperature monitoring		
Measuring range	-10...100 °C	14...212 °F
Display range	-32...122 °C	-25.6...251.6 °F
Resolution	0.1 °C	0.1 °F
Set point SP	-9.3...100 °C	15.2...212 °F
Reset point rP	-10...99.3 °C	14...210.8 °F
In steps of	0.1 °C	0.2 °F
Frequency start point, FSP	-10...78 °C	14...172.4 °F
Frequency end point, FEP	12...100 °C	53.6...212 °F
Frequency at the end point FRP [Hz]	10...10000	
In steps of [Hz]	10	

Accuracy / deviations	
Flow monitoring	
Accuracy (in the measuring range)	± 5 % MEW; (Q > 1 l/min; 20...70 °C Medium temperature)



## Flow meter with integrated backflow prevention and display

SBG11KL0FRKG

Repeatability	± 1 % MEW	
<b>Temperature monitoring</b>		
Temperature drift	0,029 °C / K	
Accuracy [K]	3 K (25°C; Q > 1 l/min)	
<b>Response times</b>		
<b>Flow monitoring</b>		
Response time [s]	0.01	
Damping process value dAP [s]	0...5	
In steps of [s]	0.1	
Damping for the analogue output dAA [s]	0...5	
In steps of [s]	0.1	
<b>Temperature monitoring</b>		
Dynamic response T05 / T09 [s]	T09 = 120 (Q > 1 l/min)	
<b>Software / programming</b>		
Parameter setting options	hysteresis / window; normally open / normally closed; switching logic; current/frequency output; damping for the switching output / analogue output; display can be rotated and switched off; standard unit of measurement; process value colour; calibration factor	
<b>Interfaces</b>		
Communication interface	IO-Link	
Transmission type	COM2 (38,4 kBaud)	
IO-Link revision	1.1	
SDCI standard	IEC 61131-9 CDV	
Profiles	Smart Sensor: Process Data Variable; Device Identification, Device Diagnosis	
SIO mode	yes	
Required master port type	A	
Process data analogue	2	
Process data binary	2	
Min. process cycle time [ms]	3.2	
Supported DeviceIDs	<b>Type of operation</b>	<b>DeviceID</b>
	default	1046
<b>Operating conditions</b>		
Ambient temperature [°C]	0...60	
Note on ambient temperature	medium temperature < 80 °C medium temperature < 100 °C: 0...40 °C	
Storage temperature [°C]	-15...80	
Protection	IP 65; IP 67	
<b>Tests / approvals</b>		
EMC	DIN EN 61000-6-2	
	DIN EN 61000-6-3	
Shock resistance	DIN EN 60068-2-27	20 g (11 ms)
Vibration resistance	DIN EN 60068-2-6	5 g (10...2000 Hz)
MTTF [years]	145	
UL approval	UL Approval no.	I006
Pressure Equipment Directive	Sound engineering practice	

# SB3246



## Flow meter with integrated backflow prevention and display

SBG11KL0FRKG

Mechanical data	
Weight [g]	1586
Materials	stainless steel (316L/1.4404); PBT+PC-GF30; PBT-GF20; PC; brass chemically nickel-plated
Materials (wetted parts)	stainless steel (316 / 1.4401); stainless steel (316L/1.4404); brass (2.0371); brass chemically nickel-plated; PPS; O-ring: FKM
Process connection	threaded connection G 1 internal thread
Switching cycles mechanical	10 million

Displays / operating elements		
Display	Display unit	6 x LED, green
	switching status	2 x LED, yellow
	measured values	alphanumeric display, red/green alternating indication 4-digit
	programming	alphanumeric display, 4-digit

Remarks	
Remarks	Recommendation: use a 200-micron filter.
	All data refer to oil with the following nominal viscosity: 68 mm <sup>2</sup> /s, 40 °C
	MW = measured value
	MEW = Final value of the measuring range
Pack quantity	1 pcs.

### Electrical connection

Connector: 1 x M12; coding: A; Contacts: gold-plated

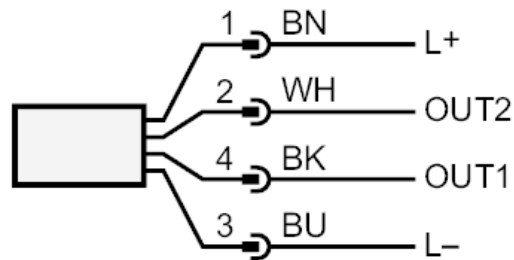




## Flow meter with integrated backflow prevention and display

SBG11KL0FRKG

### Connection



#### OUT1:

- switching output volumetric flow quantity monitoring
- switching output Temperature monitoring
- frequency output volumetric flow quantity monitoring
- frequency output Temperature monitoring
- IO-Link

#### OUT2:

- switching output volumetric flow quantity monitoring
- switching output Temperature monitoring
- analogue output volumetric flow quantity monitoring
- analogue output Temperature monitoring
- colours to DIN EN 60947-5-2

Core colours :

- BK = black
- BN = brown
- BU = blue
- WH = white

### Diagrams and graphs

