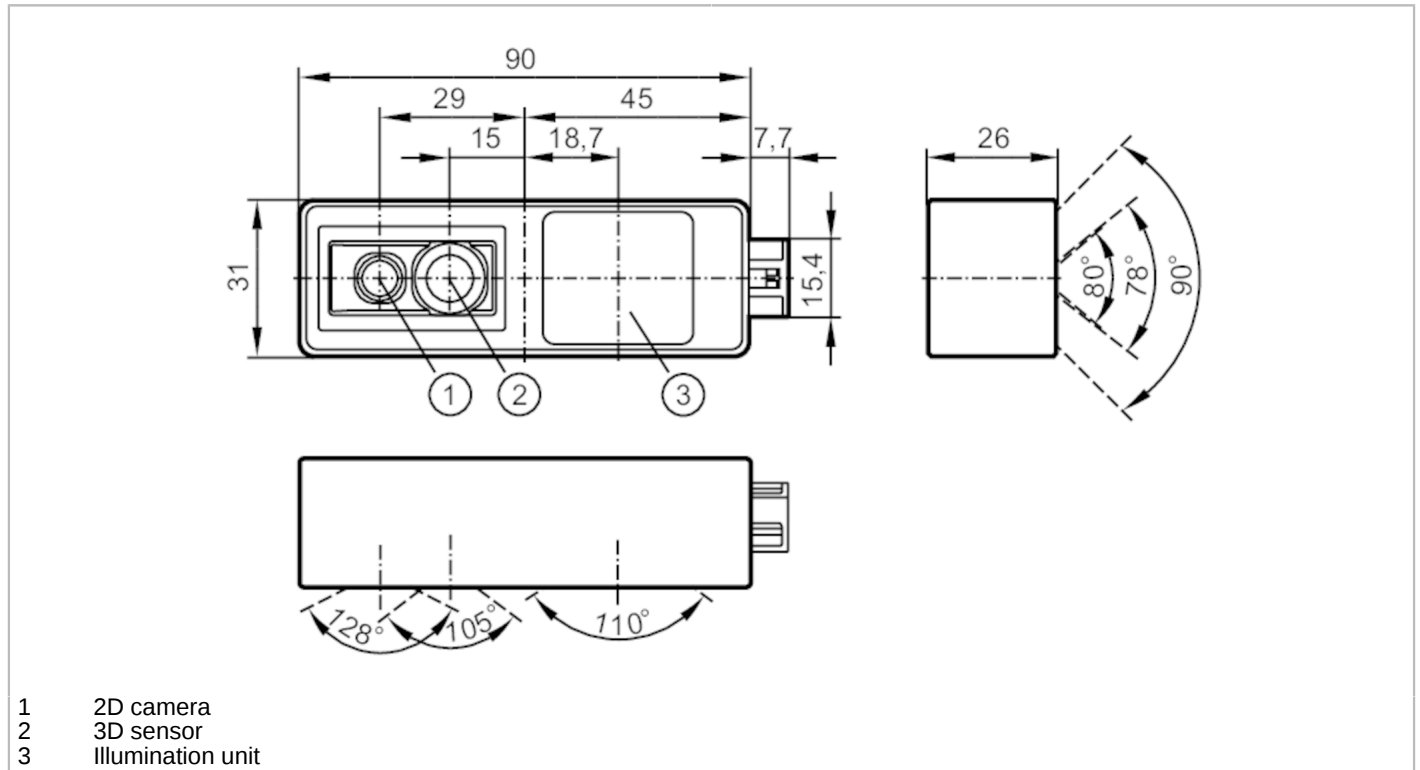


O3R225



3D camera

O3RI00KG/2D3D/ZN/O/W/105



Product characteristics		
Image resolution	[px]	1280 x 800
Image resolution 3D	[px]	224 x 172
Angle of aperture	[°]	128 x 80
Angle of aperture 3D	[°]	105 x 78
Image repetition frequency	[Hz]	20
Image repetition frequency 3D	[Hz]	20
Electrical data		
Operating voltage	[V]	19.2...28.8 DC
Max. current consumption	[mA]	800
Power consumption	[W]	8.6; ((FPS x 0,32) + 2,2; FPS = Framerate Head)
Image sensor		PMD 3D ToF-Chip / 2D Chip
Internal lighting		yes; (infrared: 940 nm invisible radiation)
Detection zone		
Image resolution	[px]	1280 x 800
Image resolution 3D	[px]	224 x 172
Angle of aperture	[°]	128 x 80
Angle of aperture 3D	[°]	105 x 78
Image repetition frequency	[Hz]	20
Image repetition frequency 3D	[Hz]	20

O3R225



3D camera

O3RIOOKG/2D3D/ZN/O/W/105

Interfaces		
Transmission standard	FPD-Link	
Connector type	HFM (Mini-Fakra)	
Operating conditions		
Ambient temperature	[°C]	-10...40
Storage temperature	[°C]	-40...85
Protection	IP 54	
Tests / approvals		
EMC	EN IEC 61000-6-4	radiation of interference / residential, commercial and light-industrial environments
	EN IEC 61000-6-2	immunity / industrial environments
Shock resistance	EN 60068-2-27	50 g / (11 ms) not repetitive
	EN 60068-2-27	40 g / (6 ms) repetitive
Vibration resistance	EN 60068-2-6	2 g / (10...150 Hz)
	EN 60068-2-64	2.3 g RMS / (10...500 Hz)
Laser protection class	1	
Notes on laser protection	Caution:	invisible laser radiation
	laser class:	1
		IEC 60825-1:2014
		Complies with 21 CFR 1040.10 except for conformance with IEC 60825-1 Ed. 3, as described in Laser Notice No. 56, dated May 8, 2019.
Electrical protection	EN 61010-2-201	electrical supply only via PELV circuits
Mechanical data		
Weight	[g]	170.9
Dimensions	[mm]	90 x 31 x 26
Materials	housing: diecast zinc coated; Cover: PMMA; window: glass / PMMA; rear of the housing: aluminium coated	
Tightening torque	[Nm]	< 0.8
Remarks		
Pack quantity	1 pcs.	
Electrical connection		
Connector: Dual-HFM		
Other data		
Field of view size		
distance [m]	Length [m]	Width [m]
1.00	2.60	1.70
2.00	5.20	3.35
3.00	7.80	5.05
4.00	10.40	6.70

O3R225



3D camera

O3RI00KG/2D3D/ZN/O/W/105

repeatability of the distance measurement of an individual pixel

measuring range / distance [m]	repeatability of the measured distance values on grey objects (18% reflectivity) [mm]	accuracy [mm]
	typical value	typical value
0...1	± 7	± 9
1...2	± 15	± 10
2...3	± 30	± 12
3...4	± 51	± 13

object in centre of the image

Ambient temperature

20° C

measured at a reflectivity of 18% to 90%

The repeatability can be optimised with filter functions

Temperature drift

Temperature range	-10...40 °C
Temperature drift [mm/K]	0.1