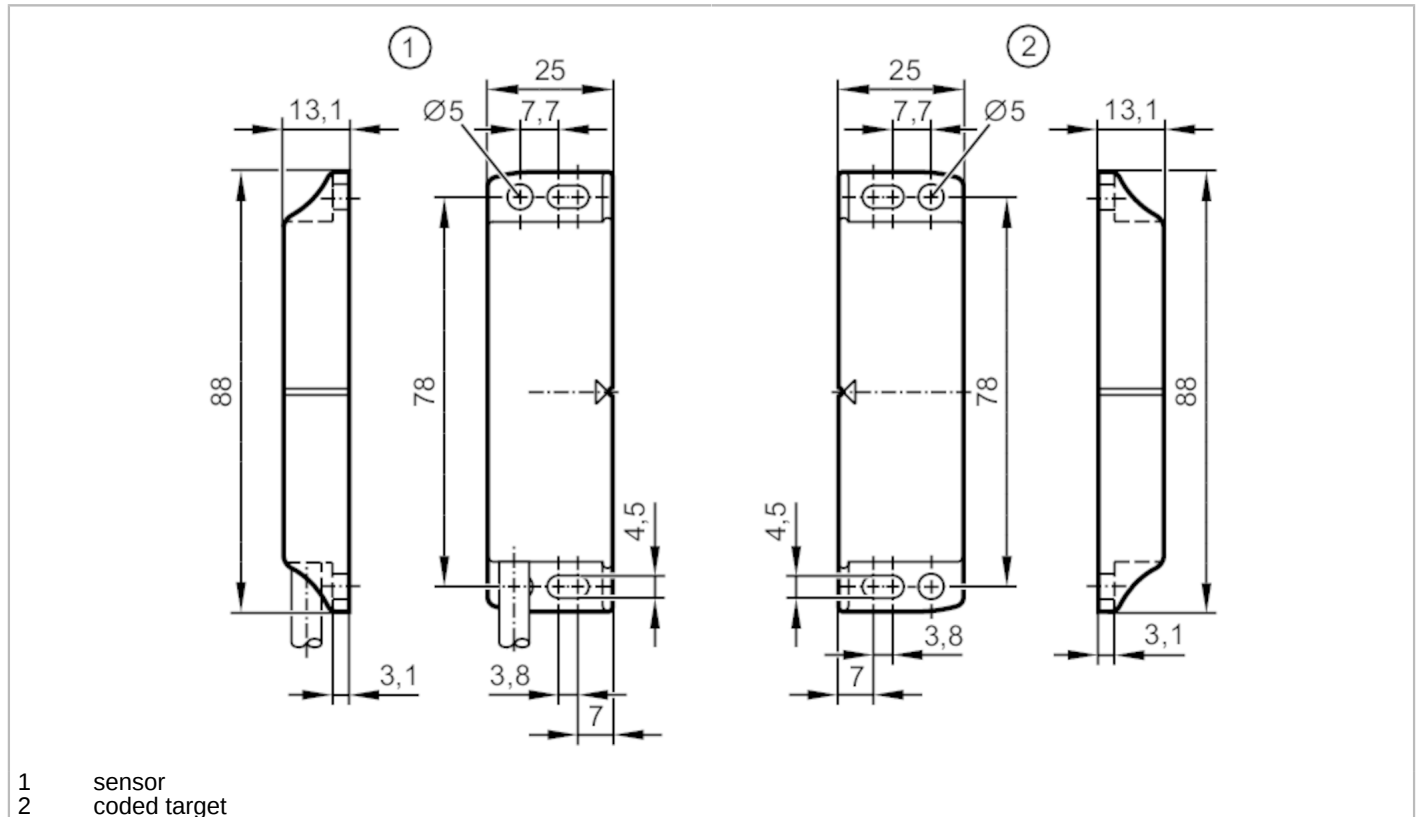


MN500S



Magnetically coded sensor

MN44008-AKOGI-H



Product characteristics

Output function		2 x normally open; (potential-free)
Sensing range	[mm]	8; (with defined actuator)
Housing		rectangular
Dimensions	[mm]	88 x 13.1 x 25

Application

Design		coded target
Type of operation		permanent operation
Application		for safety-related applications

Electrical data

Operating voltage	[V]	24 DC
Rated insulation voltage	[V]	60
Protection class		III
Reverse polarity protection		no
Internal resistance (Ri)	[Ω]	10; (1 W)

Outputs

Output function		2 x normally open; (potential-free)
Permanent current rating of switching output DC	[mA]	50
Switching frequency DC	[Hz]	150
Output data		Interface type A
Short-circuit proof		no

MN500S



Magnetically coded sensor

MN44008-AKOGI-H

Max. capacitive load CL_max [nF]	20
Detection zone	
Sensing range [mm]	8; (with defined actuator)
Safe switching-off distance s(ar) [mm]	20
Response times	
Response time to safety request [ms]	10
Max. fall time [ms]	0.1
Max. make time incl. bounce [ms]	0.6
Operating conditions	
Applications	class C to EN 60654-1 weatherproof application
Ambient temperature [°C]	-25...80
Note on ambient temperature	operational life ≤ 87600 h
Ambient temperature [°C]	10...40
Note on ambient temperature	operational life ≤ 175200 h
Max. relative air humidity [%]	briefly: 5...95 %; permanent: 5...70 %
Air pressure [kPa]	80...106
Max. height above sea level [m]	2000
Salt spray	no
Protection	IP 67; IP 69K; (protected cable laying)
Tests / approvals	
EMC	IEC 60947-5-1
Shock resistance	EN 60068-2-27 30 g (11 ms)
Vibration resistance	IEC 60068-2-6 10 g (10...55 Hz)
Safety classification	
Mission time TM [h]	≤ 175200
Mission time TM (additional indication)	20 years
B10D	20.000.000; (without load; at max. load DC 12, 24 V, 50 mA: 400.000)
Mechanical data	
Weight [g]	261.5
Housing	rectangular
Mounting	non-flush mountable
Dimensions [mm]	88 x 13.1 x 25
Materials	housing: PA; mounting plate: stainless steel (1.4301 / 304)
Tightening torque [Nm]	0.8...2
Accessories	
Items supplied	coded target
Remarks	
Remarks	In connection with a G150xS / AC4x2S type evaluation unit, it is possible to reach up to PL e (ISO 13849-1) or SIL cl 3 (IEC 62061)
Pack quantity	1 pcs.

MN500S



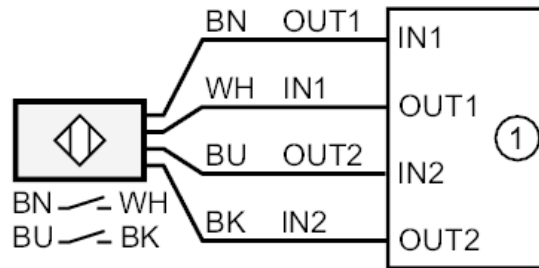
Magnetically coded sensor

MN44008-AKOGI-H

Electrical connection

Cable: 2 m, PVC, Ø 5 mm; 4 x 0.25 mm²

Connection



1: safety-related logic unit

Core colours :

BK = black
BN = brown
BU = blue
WH = white