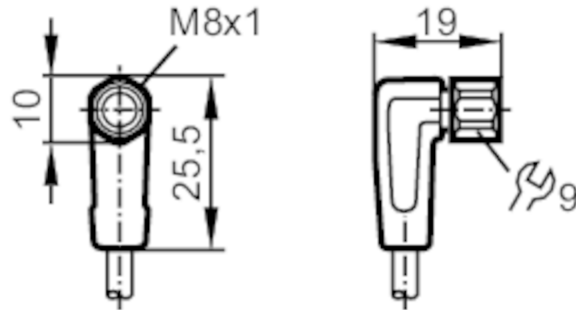


# EVF141



## Connecting cable with socket

ADOAF040VAS0025P04



Application	
Special feature	Free from silicone; Halogen-free; Gold-plated contacts; Drag chain suitability
Application	hygienic and wet areas in the food industry
Free from silicone	yes
Electrical data	
Operating voltage [V]	< 50 AC / < 60 DC; (cULus: 30 AC / 30 DC)
Protection class	III
Max. current load total [A]	3
Operating conditions	
Ambient temperature [°C]	-25...80
Ambient temperature (moving) [°C]	5...80
Protection	IP 65; IP 67; IP 68; IP 69K
Tests / approvals	
UL approval	power supply Class 2
Mechanical data	
Weight [g]	749.4
Dimensions [mm]	19 x 10 x 25.5
Materials	housing: PP grey; Sealing: EPDM
Material nut	stainless steel (316L/1.4404)
Drag chain suitability	yes

# EVF141



## Connecting cable with socket

ADOAF040VAS0025P04

Drag chain suitability	bending radius for flexible use	min. 10 x cable diameter
	travel speed	max. 3.3 m/s for a horizontal travel length of 5 m and max. acceleration of 5 m/s <sup>2</sup>
	bending cycles	> 1 Mio.
	torsional strain	± 180 °/m

### Remarks

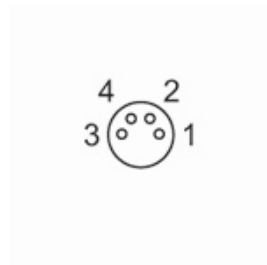
Pack quantity	1 pcs.
---------------	--------

### Electrical connection

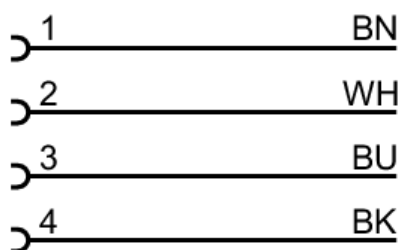
Cable: 25 m, MPPE, Halogen-free, grey, Ø 4.9 mm; 4 x 0.34 mm<sup>2</sup> (42 x Ø 0.1 mm )

### Electrical connection - socket

Connector: 1 x M8, angled; coding: A; Locking: stainless steel (316L/1.4404); Contacts: gold-plated; Tightening torque: 0.3...0.5 Nm



### Connection



Core colours :  
BK = black  
BN = brown  
BU = blue  
WH = white