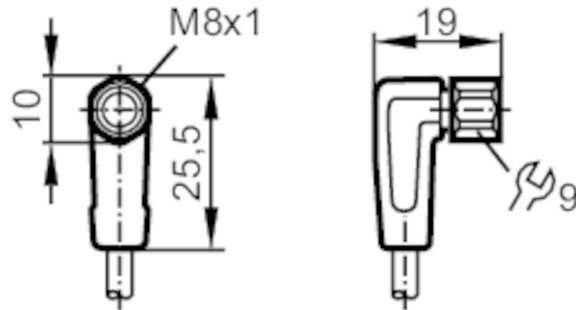


# EVF139



## Connecting cable with socket

ADOAF040VAS0005P04



| Application                       |  |
|-----------------------------------|--|
| Special feature                   | Free from silicone; Halogen-free; Gold-plated contacts; Drag chain suitability |
| Application                       | hygienic and wet areas in the food industry                                    |
| Free from silicone                | yes  |
| Electrical data                   |  |
| Operating voltage [V]             | < 50 AC / < 60 DC; (cULus: 30 AC / 30 DC)                                      |
| Protection class                  | III  |
| Max. current load total [A]       | 3  |
| Operating conditions              |  |
| Ambient temperature [°C]          | -25...80   |
| Ambient temperature (moving) [°C] | 5...80   |
| Protection                        | IP 65; IP 67; IP 68; IP 69K  |
| Tests / approvals                 |  |
| UL approval                       | power supply Class 2   |
| Mechanical data                   |  |
| Weight [g]                        | 161.3  |
| Dimensions [mm]                   | 19 x 10 x 25.5   |
| Materials                         | housing: PP grey; Sealing: EPDM  |
| Material nut                      | stainless steel (316L/1.4404)  |
| Drag chain suitability            | yes  |

# EVF139



## Connecting cable with socket

ADOAF040VAS0005P04

|                        |                                 |  |
|------------------------|---------------------------------|--|
| Drag chain suitability | bending radius for flexible use | min. 10 x cable diameter   |
|                        | travel speed                    | max. 3.3 m/s for a horizontal travel length of 5 m and max. acceleration of 5 m/s <sup>2</sup> |
|                        | bending cycles                  | > 1 Mio.   |
|                        | torsional strain                | ± 180 °/m  |

### Remarks

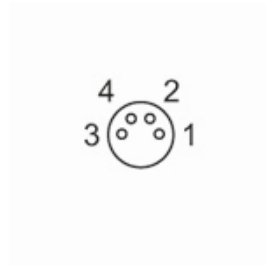
|               |        |
|---------------|--------|
| Pack quantity | 1 pcs. |
|---------------|--------|

### Electrical connection

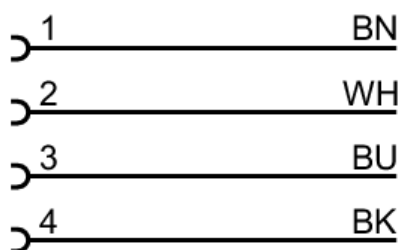
Cable: 5 m, MPPE, Halogen-free, grey, Ø 4.9 mm; 4 x 0.34 mm<sup>2</sup> (42 x Ø 0.1 mm )

### Electrical connection - socket

Connector: 1 x M8, angled; coding: A; Locking: stainless steel (316L/1.4404); Contacts: gold-plated; Tightening torque: 0.3...0.5 Nm



### Connection



Core colours :  
BK = black  
BN = brown  
BU = blue  
WH = white