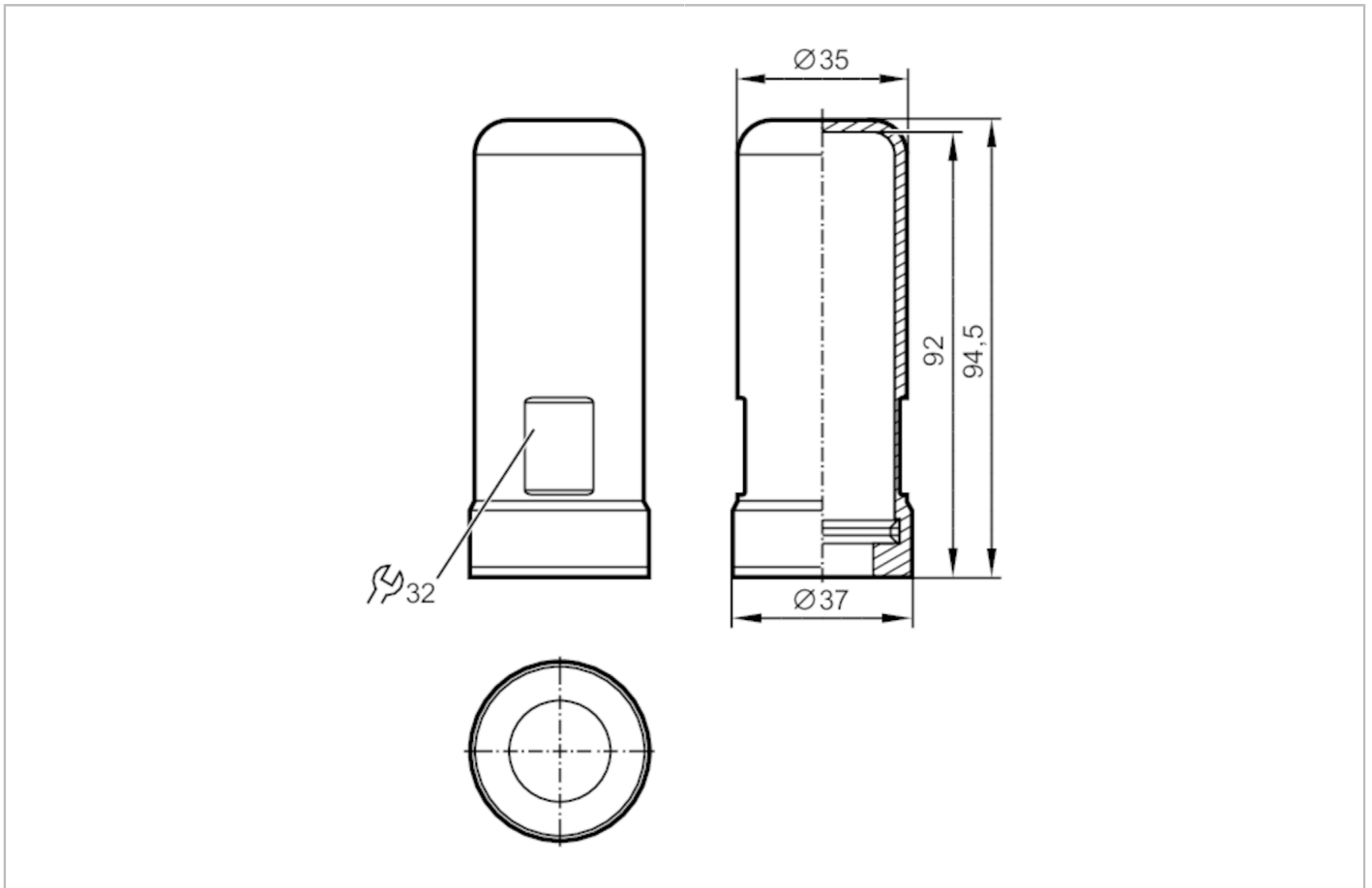


E70452



Protective cap

Edge-Gateway/USB case



Application

Design for USB connection cable EC2099

Operating conditions

Ambient temperature [°C] -25...70

Mechanical data

Weight [g]	42.6
Dimensions [mm]	94 x 13.5 x 13.5
Thread designation	M22 x 1
External diameter [mm]	37
Materials	POM; FKM
Tightening torque [Nm]	0.8

Remarks

Pack quantity 1 pcs.