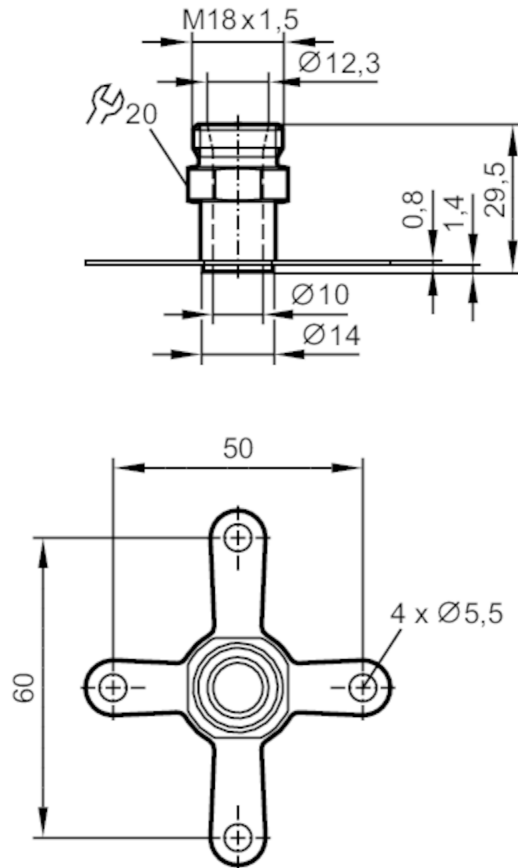


E43908



Mounting adapter for flow sensors

ADAPTION SHEET WELDED M18



Application

Media liquids and gases of the fluid group 2 according to the Pressure Equipment Directive (PED)

Mechanical data

Weight [g] 97.5

Materials stainless steel (316L/1.4404); stainless steel (316L/1.4435)

Sensor connection M18 x 1,5

Remarks

Pack quantity 1 pcs.