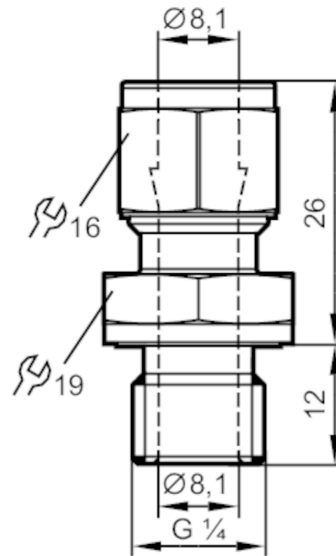


E40259



Progressive ring fitting

COMPRESSION FITTING G1/4



| Application | |
|------------------------------|---|
| Installation | Progressive ring fitting |
| Pressure rating [bar] | 50 |
| Tests / approvals | |
| Pressure Equipment Directive | A possible classification to PED depends on the application and has to be carried out by the user / operator. |
| Safety instructions | The compatibility between medium and product material has to be checked in all applications. |
| Mechanical data | |
| Weight [g] | 50 |
| Materials | stainless steel (316L/1.4404); Gasket: FKM |
| Sensor connection | Ø 8 mm |
| Process connection | threaded connection G 1/4 |
| Accessories | |
| Items supplied | Gasket |
| Remarks | |
| Pack quantity | 1 pcs. |