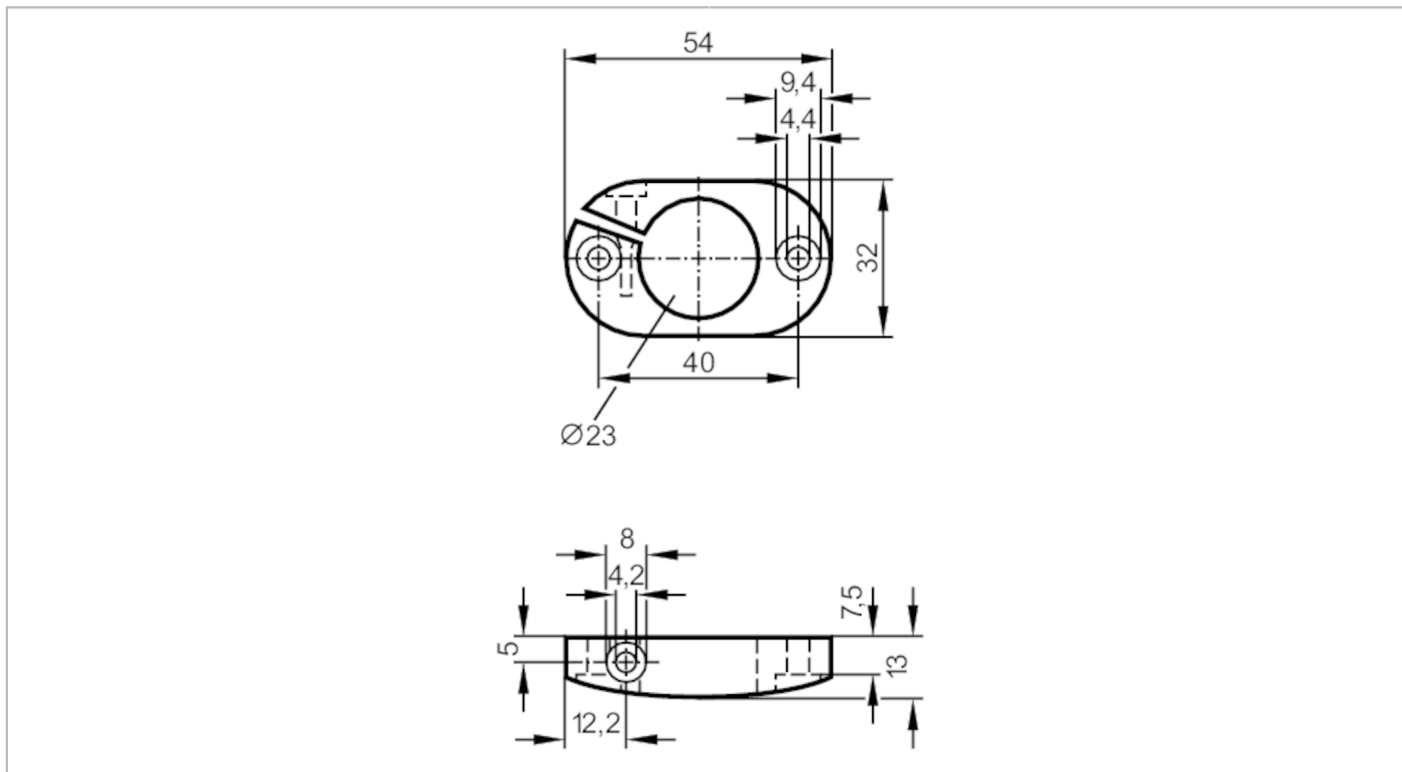


E40048



Mounting clamp for airflow monitors

MOUNTING CLAMP SLG



Application

Design

for SLG airflow monitor

Mechanical data

Weight

[g]

16

Dimensions

[mm]

13 x 54 x 32

Inside diameter

[mm]

23

Materials

PBT

Remarks

Pack quantity

1 pcs.