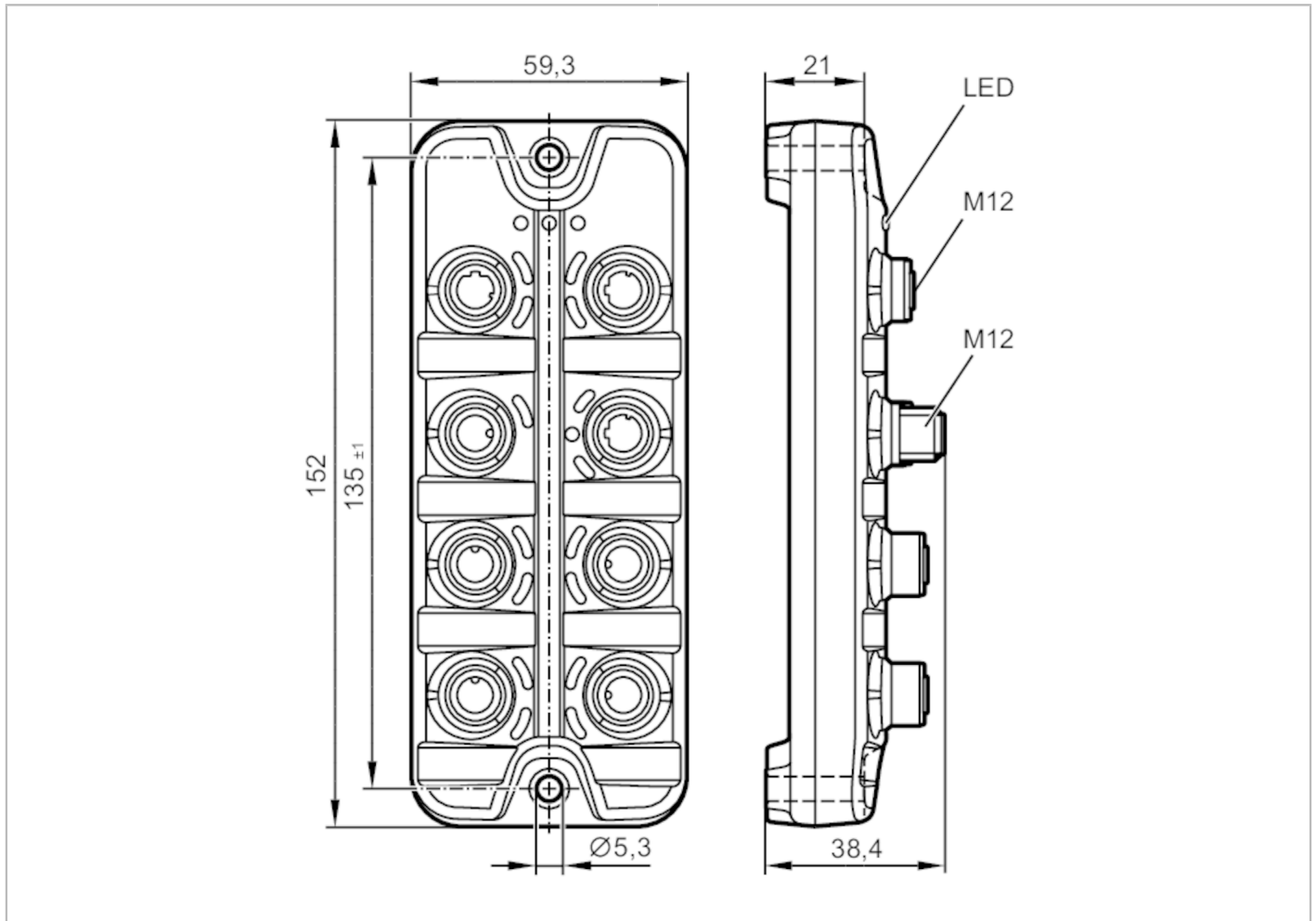


# AL1340



## IO-Link master with Modbus TCP interface

IO-Link Master DL MB 4P IP67



| Application                        |   |
|------------------------------------|---|
| Application                        | I/O modules for field applications                        |
| Daisy-chain function               | fieldbus interface  |
| Electrical data                    |   |
| Operating voltage [V]              | 20...30 DC; (US ; to SELV/PELV)                           |
| Current consumption [mA]           | 300...3900; (US)  |
| Protection class                   | III   |
| Sensor supply US                   |   |
| Max. current load total [A]        | 3.6   |
| Inputs / outputs                   |   |
| Total number of inputs and outputs | 8; (configurable)   |
| Number of inputs and outputs       | Number of digital inputs: 8; Number of digital outputs: 4 |
| Inputs                             |   |
| Number of digital inputs           | 8; (IO-Link Port Class A: 4 x 2)                          |
| Switching level high [V]           | 11...30   |
| Switching level low [V]            | 0...5   |



## IO-Link master with Modbus TCP interface

IO-Link Master DL MB 4P IP67

|   |   |   |
|---|---|---|
| Digital inputs protected against short circuits | yes   |   |
| <b>Outputs</b>                                  |   |   |
| Number of digital outputs                       | 4; (IO-Link Port Class A: 4 x 1)  |   |
| Max. current load per output [mA]               | 300   |   |
| Short-circuit proof                             | yes   |   |
| <b>Interfaces</b>                               |   |   |
| Communication interface                         | Ethernet; IO-Link   |   |
| <b>Ethernet - Modbus TCP</b>                    |   |   |
| Transmission standard                           | 10Base-T; 100Base-TX  |   |
| Transmission rate                               | 10 MBit/s; 100 MBit/s   |   |
| Protocol  | Modbus TCP  |   |
| Factory settings                                | IP address: 192.168.1.250<br>subnet mask: 255.255.255.0<br>gateway IP address: 0.0.0.0<br>MAC address: see type label |   |
| <b>Ethernet - Internet of Things</b>            |   |   |
| Transmission standard                           | 10Base-T; 100Base-TX  |   |
| Transmission rate                               | 10 MBit/s; 100 MBit/s   |   |
| Protocol  | MQTT JSON   |   |
| Factory settings                                | IP address: 169.254.x.x<br>subnet mask: 255.255.0.0<br>gateway IP address: 0.0.0.0<br>MAC address: see type label     |   |
| Note on interfaces                              | Secure protocol: HTTPS  |   |
| <b>IO-Link Master</b>                           |   |   |
| Transmission type                               | COM1 (4,8 kBaud); COM2 (38,4 kBaud); COM3 (230,4 kBaud)   |   |
| IO-Link revision                                | 1.1   |   |
| Number of ports class A                         | 4   |   |
| <b>Operating conditions</b>                     |   |   |
| Ambient temperature [°C]                        | -25...60  |   |
| Storage temperature [°C]                        | -25...85  |   |
| Max. relative air humidity [%]                  | 90  |   |
| Protection                                      | IP 65; IP 66; IP 67   |   |
| Protection rating (NEMA 250)                    | 6P  |   |
| Pollution degree                                | 2   |   |
| Chemical media                                  | ISO 16750-5<br>NEMA 250 5.13.1  | AA, BA, BD, HLP, CC, DB, DC, DD, CA<br>AA |
| <b>Tests / approvals</b>                        |   |   |
| EMC   | EN 61000-6-2<br>EN 61000-6-4  |   |
| Shock resistance                                | DIN EN 60068-2-27   |   |
| Vibration resistance                            | DIN EN 60068-2-64 2009-04<br>DIN EN 60068-2-6 2008-10   |   |
| MTTF [years]                                    | 95  |   |

# AL1340



## IO-Link master with Modbus TCP interface

IO-Link Master DL MB 4P IP67

| Mechanical data  |   |
|------------------|---|
| Weight [g]       | 302   |
| Materials        | housing: PA orange; socket: brass nickel-plated |
| Sealing material | FKM   |

| Remarks       |  |
|---------------|--|
| Remarks       | For further information please see the operating instructions. |
| Pack quantity | 1 pcs.   |

### Electrical connection - Ethernet

Connector: M12; coding: D; Sealing: FKM



### Modbus TCP X21, X22

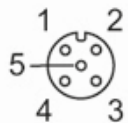
|   |          |
|---|----------|
| 1 | TX +     |
| 2 | RX +     |
| 3 | TX -     |
| 4 | RX -     |
| 5 | not used |

### IoT X23

|   |          |
|---|----------|
| 1 | TX +     |
| 2 | RX +     |
| 3 | TX -     |
| 4 | RX -     |
| 5 | not used |

### Electrical connection - Process connection

Connector: M12; coding: A; Sealing: FKM



### IO-Link Port Class A X01...X04

|   |                       |
|---|-----------------------|
| 1 | Sensor supply (US) L+ |
| 2 | digital input         |
| 3 | Sensor supply (US) L- |
| 4 | C/Q IO-Link           |
| 5 | not used              |

# AL1340



## IO-Link master with Modbus TCP interface

IO-Link Master DL MB 4P IP67

### Electrical connection - power supply

Connector: M12; coding: A



#### X31

|   |                |
|---|----------------|
| 1 | + 24 V DC (US) |
| 2 | not used       |
| 3 | GND (US)       |
| 4 | not used       |