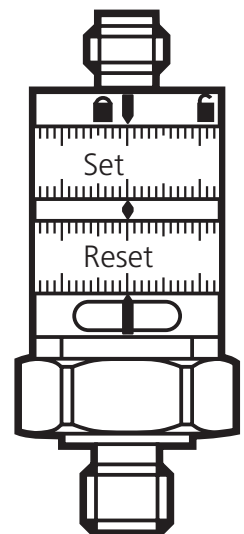




Operating Instructions
Electronic pressure monitor
PK652x

UK

704880 / 00 03 / 2020





Contents

| | |
|-------------------------------|---|
| 1 Preliminary note..... | 2 |
| 1.1 Symbols used | 2 |
| 2 Safety instructions | 3 |
| 3 Function and features | 4 |
| 4 Installation..... | 4 |
| 5 Electrical connection..... | 4 |
| 6 Setting / Operation..... | 5 |

1 Preliminary note

1.1 Symbols used

- ▶ Instruction
- > Reaction, result
- [...] Designation of keys, buttons or indications
- Cross-reference
-  Important note
Non-compliance may result in malfunction or interference
-  Information
Supplementary note

2 Safety instructions

- The device described is a subcomponent for integration into a system.
 - The manufacturer is responsible for the safety of the system.
 - The system manufacturer undertakes to perform a risk assessment and to create documentation in accordance with legal and normative requirements to be provided to the operator and user of the system. This documentation must contain all necessary information and safety instructions for the operator, the user and, if applicable, for any service personnel authorised by the manufacturer of the system.
- Read this document before setting up the product and keep it during the entire service life.
- The product must be suitable for the corresponding applications and environmental conditions without any restrictions.
- Only use the product for its intended purpose (→ Functions and features).
- Only use the product for permissible media (→ Technical data).
- If the operating instructions or the technical data are not adhered to, personal injury and/or damage to property may occur.
- The manufacturer assumes no liability or warranty for any consequences caused by tampering with the product or incorrect use by the operator.
- Installation, electrical connection, set-up, programming, configuration, operation and maintenance of the product must be carried out by personnel qualified and authorised for the respective activity.
- Protect units and cables against damage.

3 Function and features

The pressure monitor detects the system pressure and switches the two complementary outputs OUT1 (pin 4) / OUT2 (pin 2):

- In case of increasing pressure OUT1 closes / OUT2 opens when the set Set value is reached.
- In case of decreasing pressure OUT1 opens / OUT2 closes when the set Reset value is reached.

Applications

Type of pressure: relative pressure

| Order no. | Measuring range | | Permissible overload pressure | | Bursting pressure | |
|-----------|-----------------|-----------|-------------------------------|-------|-------------------|--------|
| | bar | PSI | bar | PSI | bar | PSI |
| PK6520 | 0...400 | 0...5 800 | 600 | 8 700 | 1 600 | 23 200 |
| PK6521 | 0...250 | 0...3 625 | 400 | 5 800 | 1 000 | 14 500 |
| PK6522 | 0...100 | 0...1 450 | 200 | 2 900 | 1 000 | 14 500 |
| PK6523 | 0...25 | 0...363 | 60 | 870 | 500 | 7253 |
| PK6524 | 0...10 | 0...145 | 25 | 362 | 300 | 4 350 |



Avoid static and dynamic overpressure exceeding the given overload pressure.

Even if the bursting pressure is exceeded only for a short time the unit can be destroyed (danger of injuries)!



If the cable length exceeds 30 m or if used outside buildings, there is a risk of overvoltage pulses from external sources. We recommend to use the unit in protected operating environments and to limit overvoltage pulses to max. 500 V.

4 Installation



Before mounting and removing the sensor, make sure that no pressure is applied to the system.

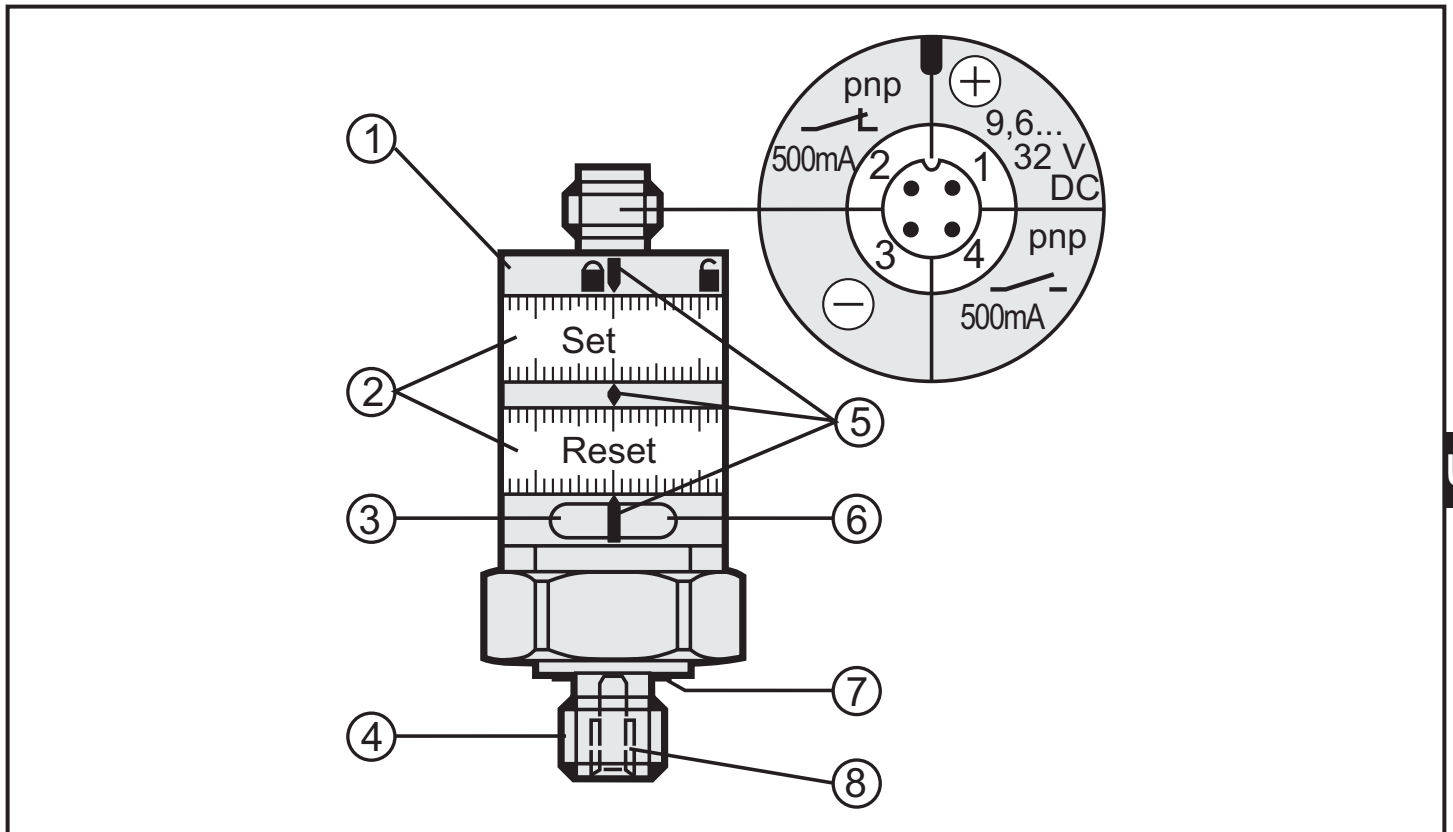
5 Electrical connection



The unit must be connected by a suitably qualified electrician. Voltage supply to EN50178, SELV, PELV.

- ▶ Disconnect power before connecting the unit.

6 Setting / Operation



- 1: locking ring
 - 2: setting rings (manually adjustable after unlocking)
 - 3: green LED: supply voltage O.K.
 - 4: process connection G $\frac{1}{4}$ A; tightening torque 25 Nm
 - 5: setting marks
 - 6: yellow LED: Set value reached, OUT1 = ON / OUT2 = OFF
 - 7: sealing FPM / DIN 3869-14
 - 8: internal thread M5
- Minimum distance between Set and Reset = 2% of the final value of the measuring range.
 - To obtain the setting accuracy: Set the rings to the minimum value, then set the requested value.

More information at www.ifm.com