



Process sensors

Compact and robust sanitary pressure sensor with IO-Link



Pressure sensors



High accuracy $\pm 0.2\%$ and repeatability $\pm 0.1\%$ of full range

Flush mount ceramic capacitive measuring cell with high overload resistance

Free of charge factory certificate with production calibration information

IO-Link digital communication with sensor health diagnostics



Robust Ceramic Cell

The ceramic capacitive measuring cell is the most resilient pressure technology available. The 99.9% pure ceramic is more corrosion and abrasion resistant than traditional metal diaphragms and the capacitive measuring cell has very high over pressure ratings up to 40 times the measuring range. The high pressure ratings reduce the potential for damage from pressure spikes or surges; and since there is no fill fluid, there is no risk of diaphragm fluid leaking into your process.

Temperature Shock Resistance

The design of the new PM has been improved to reduce the impact of temperature shocks which normally occur in high temp cleaning processes. Your process can therefore return to normal operation sooner, increasing machine availability and performance.

Free Down-loadable Calibration Certificate

A factory certificate for every new PM1 sensor is available. The 3-point factory certificate provides a report of the production calibration data for each individual sensor on the basis of IEC 60770. Visit ifm.com/us and click on "Support" then "Calibration Certificates" for more information.



Digital or analog, 4...20 mA (scalable)

Factory setting measuring range (psi)	Measuring range relative pressure (psi)	Overload / Burst Pressure (psi)	Process Connection	Part No.	List Price
0...362.6	-14.6...362.6	1450 / 5075	G 1 Aseptoflex vario	PM1703	\$450.00
0...232	-14.6...232	1085 / 3625	G 1 Aseptoflex vario	PM1714	\$450.00
0...145	-14.5...145	725 / 2175	G 1 Aseptoflex vario	PM1704	\$450.00
0...87	-14.5...87	435 / 1450	G 1 Aseptoflex vario	PM1715	\$450.00
0...58	-14.5...58	435 / 1450	G 1 Aseptoflex vario	PM1705	\$450.00
0...36.26	-1.82...36.26	290 / 725	G 1 Aseptoflex vario	PM1706	\$450.00
0...23.21	-1.45...23.21	215 / 580	G 1 Aseptoflex vario	PM1717	\$450.00
0...14.5	-0.73...14.5	145 / 435	G 1 Aseptoflex vario	PM1707	\$450.00
-14.5...14.5	-14.5...14.5	145 / 435	G 1 Aseptoflex vario	PM1709	\$450.00
0...100 inH ₂ O	-5...100 inH ₂ O	145 / 435	G 1 Aseptoflex vario	PM1708	\$450.00
0...40 inH ₂ O	-2...40 inH ₂ O	58 / 435	G 1 Aseptoflex vario	PM1789	\$450.00
-14.5...1450	-14.5...1450	2900 / 9425	G 1 Sealing cone	PM1602	\$450.00

Optional Accessories

Type	Description	Part No.	List Price
	1.5" Tri-clamp adapter, 3A, 316 L stainless steel, (EPDM O-ring)	E33208	\$68.00
	2" Tri-clamp adapter, 3A, 316 L stainless steel, (EPDM O-ring)	E33209	\$69.00
	Weldable adapter, 3A, 316 L stainless steel, (EPDM O-ring)	E30130	\$71.00
	1.5" Tri-clamp adapter, 3A, 316 L stainless steel, (EPDM O-ring) for PM1602	E33602	\$75.00
	Weldable adapter, 316 L stainless steel, for PM1602	E30013	\$43.00
	LR DEVICE (supplied on USB flash drive) Software for online and offline parameter setting	QA0011	\$110.00
	USB IO-Link master cable for parameter setting	E30390	\$367.00

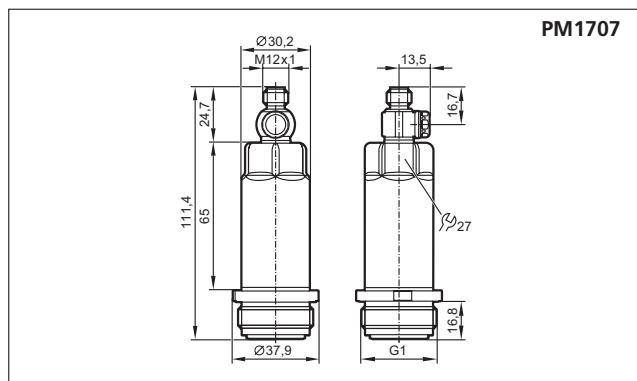
Ethernet Communication Modules (IO-Link Master Blocks)

Type	Description	Part No.	List Price
	Profibus, 4 IO-Link ports, IO-Link 1.1	AL1301	\$355.00
	Ethernet/IP, 4 IO-Link ports, IO-Link 1.1	AL1321	\$355.00
	Profibus, 8 IO-Link ports, IO-Link 1.1	AL1303	\$420.00
	Ethernet/IP, 8 IO-Link ports, IO-Link 1.1	AL1323	\$420.00

Cordsets

Type	Description	Part No.	List Price
	M12 Micro DC (4-pin) 5 m, MPPE	EVF001	\$23.00
	M12 Micro DC (4-pin) 10 m, MPPE	EVF002	\$28.00
	M12 Micro DC (4-pin) 5 m, MPPE	EVF004	\$23.00
	M12 Micro DC (4-pin) 10 m, MPPE	EVF005	\$28.00

Dimensions



Technical Specs

Supply voltage:	18...30 V DC
Current consumption:	3.5...21.5mA (2-wire) / 45 mA (3-wire)
Output:	4...20 mA or IO-Link
Medium temp range:	-13...257 °F (300 °F max 1 hr) / -25...125 °C (150 °C max 1 hr)
Accuracy*:	< ± 0.2% of full range (deviations incl. non-linearity, hysteresis, non-repeatability)
Repeatability:	< ± 0.1% of full range
Wetted parts:	Ceramics 99.9%, PTFE, 316L stainless steel
Protection rating:	IP67 / IP68 / IP69K

*PM1x89, PM1602 < ± 0.5% of full range