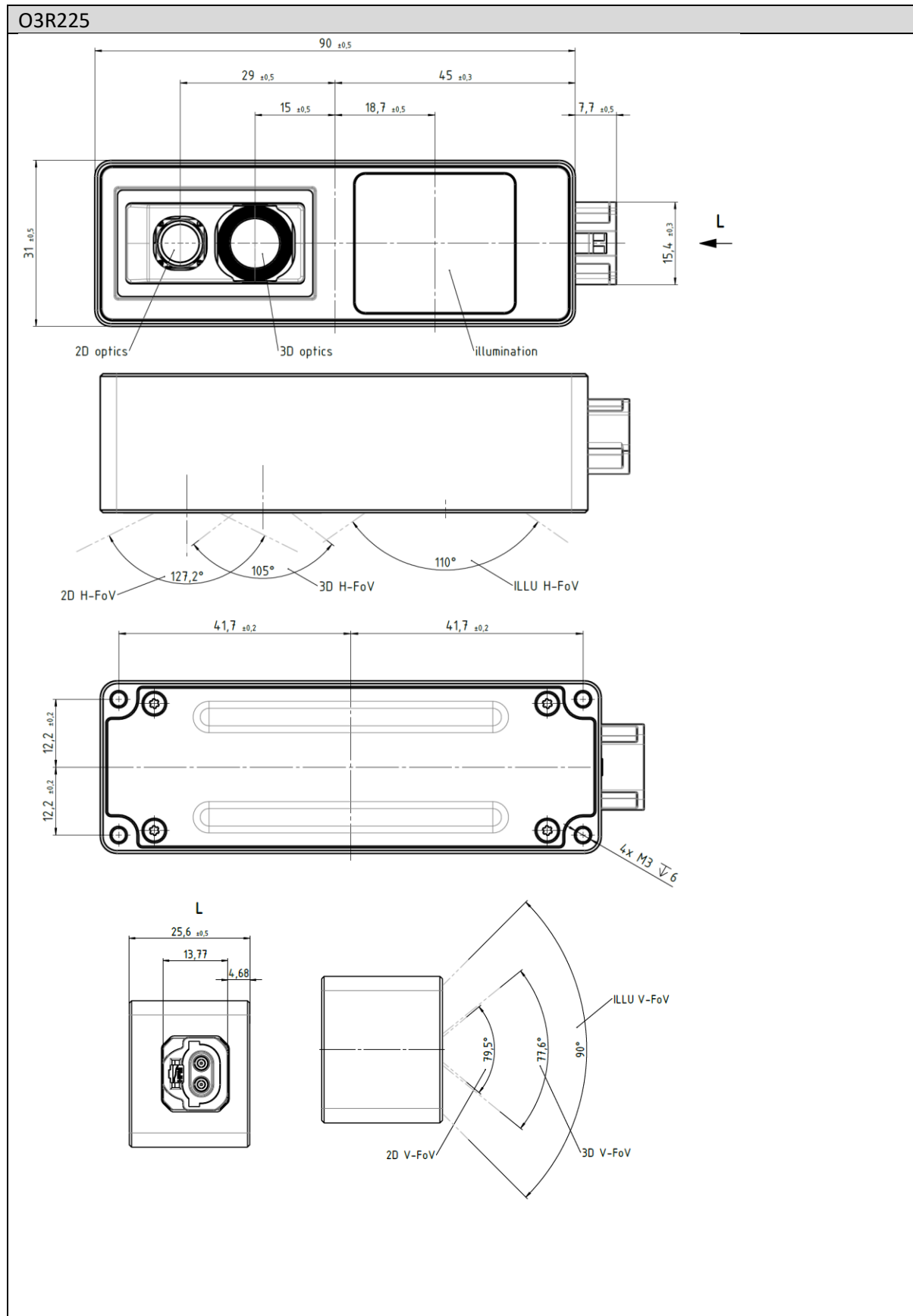
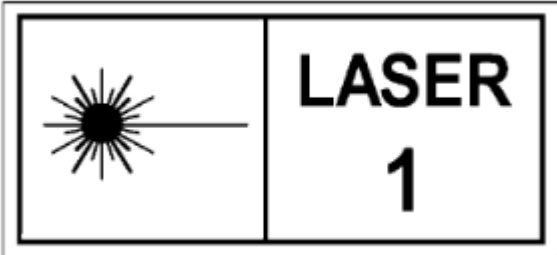




O3R225 O3RIOOKG/2D3D/ZN/O/W/105





Product characteristics	
Dimensions [mm]	90 x 31 x 26
Weight [g]	150
Material	Housing: Coated Diecast Zinc Frontcover: PMMA Windows: Glass, PMMA Backcover: Coated Aluminium
Image Sensor 3D	PMD 3D ToF-Chip
Image Resolution 3D [px]	224 x 172
Angle of aperture 3D [°]	105 x 78
Max. framerate 3D [Hz]	20
Operating wavelength 3D [nm]	940
Image Sensor 2D	RGB
Image Resolution 2D [px]	1280 x 800
Angle of aperture 2D [°]	128 x 80
Max. framerate 2D [Hz]	20
Electrical data	
Operating voltage [V]	24V (19,2V ... 28,8V)
Current consumption [A]	Average: 0,4 Peak: 1,2
Power consumption [W]	Average: 9,6 Peak: 28,8
Operating Conditions	
Ambient temperature range [°C]	-10 ... 40
Storage temperature range [°C]	-40 ... 85
Protection	IP54
Interfaces	
Camera	1x proprietary camera ports
Tests/approvals	
EMC	DIN EN 61000-6-3 radiation of interference / residential, commercial and light-industrial environments DIN EN 61000-6-2 noise immunity / industrial environments
Shock resistance	DIN EN 60068-2-27 50 g / (11 ms) not repetitive DIN EN 60068-2-27 40 g / (6 ms) repetitive
Vibration resistance	DIN EN 60068-2-6 2 g / (10...150 Hz) DIN EN 60068-2-64 2.3 g RMS / (10...500 Hz)
Electrical safety	DIN EN 61010-2-201 electrical supply only via PELV circuits
Laser protection	Caution: Laser light laser class: 1 wavelength: 940nm IEC 60825-1:2014 



field of view size

measuring range / distance [m]	width [m]	height [m]
1	2,60	1,70
2	5,20	3,35
3	7,80	5,05
4	10,40	6,70

Repeatability of the distance measurement of an individual pixel

measured in the centre of the image at an ambient temperature of 20°C	the repeatability can be optimised with the filter functions	Measured at a reflectivity of 18% to 90%
measuring range / distance [m]	typical repeatability (1 Sigma) of the measured distance values on grey objects (18 % reflectivity) with standard settings [mm]	typical accuracy [mm]
0..1	+/-7	+/-9
1..2	+/-15	+/-10
2..3	+/-30	+/-12
3..4	+/-51	+/-13

temperature drift

typ. temperature drift of -10...+40°C [mm/K]	0,1
--	-----