



Process sensors

New MID flow meter – now also for smallest quantities



Flow sensors / flow meters



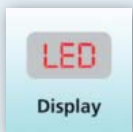
Efficient flow meter for exact measurement of quantities of 0.005...3 l/min

High accuracy, repeatability and measurement dynamics

Suitable for conductive media from 20 μ S/cm

With totaliser function

4-digit alphanumeric LED display



Magnetic-inductive flow meter

The new SM4 type flow meter operates according to Faraday's law of induction. The conductive medium flowing through a pipe in a magnetic field generates a voltage which is proportional to the flow velocity or volumetric flow quantity.

This voltage is tapped via electrodes and converted in the evaluation electronics. Its resistant materials mean the sensor is suitable for a multitude of media. A high protecting rating and a robust, compact housing distinguish the sensor in the field.

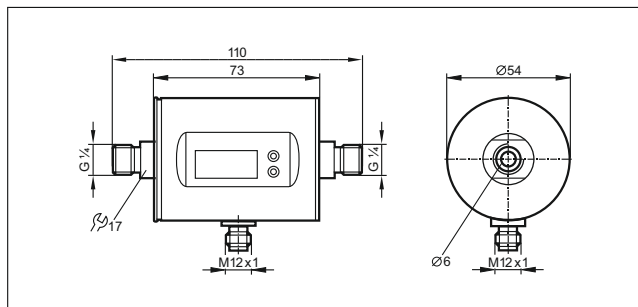


Design	Process connection	Measuring range [l/min]	Measuring accuracy [% of the final value]	Materials Seal	Pressure rating [bar]	Order no.
--------	--------------------	----------------------------	--	----------------	--------------------------	-----------

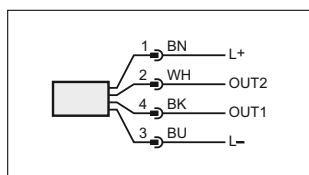
M12 connector · electrical design DC PNP / NPN · IO-Link

	G 1/4	0.005...3	± (2 % MV + 0.5 % VMR)	FKM	10	SM4000
	G 1/4	0.005...3	± (2 % MV + 0.5 % VMR)	EPDM	10	SM4100

Dimensions



Wiring diagram



OUT1: 4 selection options

- switching output flow rate monitoring
- pulse output quantity meter
- signal output preset counter
- IO-Link

OUT2: 5 selection options

- switching output flow rate monitoring
- switching output temperature monitoring
- analogue output flow rate
- analogue output temperature
- input for counter reset

Colours to DIN EN 60947-5-6

Common technical data

Design SM		
Operating voltage	[V]	18...30 DC
Current consumption	[mA]	< 80
Current rating	[mA]	200
Protection rating, protection class		IP 67, III
Medium temperature	[°C]	0...60
Ambient temperature	[°C]	-10...60
Materials in contact with the medium		high-grade stainless steel (316L/1.4404); PEEK

Accessories

Type	Description	Order no.
	Adapter G 1/4 for G 1/2, high-grade stainless steel (316L/1.4404)	E40266
	Grounding clamp for units with M12 connector high-grade stainless steel (316L/1.4404)	E40234
	USB IO-Link master for parameter setting and analysis of units Supported communication protocols: IO-Link (4.8, 38.4 and 230 kBit/s)	E30390
	Memory plug, parameter memory for IO-Link sensors	E30398

Connection technology

Type	Description	Order no.
	Socket, M12, 2 m black, PUR cable	EVC001
	Socket, M12, 5 m black, PUR cable	EVC002
	Socket, M12, 2 m black, PUR cable	EVC004
	Socket, M12, 5 m black, PUR cable	EVC005
	Socket, M12, 2 m orange, PVC cable	EVT064
	Socket, M12, 5 m orange, PVC cable	EVT001