



Process sensors

# All at sea? Pressure, temperature, level and flow sensors with DNV-GL



Pressure, temperature, level and  
flow sensors



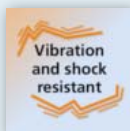
**DNV-GL approval for  
applications on ships**

**Pressure transmitters,  
submersible pressure  
transmitters and sensors  
with display**

**Temperature transmitters**

**Flow sensor with programmable  
switching output**

**Sensors for point level  
detection**



## Reliable also under extreme conditions

New DNV-GL approval means ifm's tried-and-tested fluid sensors can now also be used in maritime applications. The approved components help the user to overcome obstacles in ship and plant approval.

The sensors are distinguished by their compact and robust design and are therefore ideal for demanding applications, for example in hydraulics. Besides, ifm offers a 5-year warranty.



## Pressure transmitters

Measuring range relative pressure [bar]	P <sub>overload</sub> max. [bar]	P <sub>burst</sub> min. [bar]	Order no.	Order no.
Output function 4...20 mA, G 1/4			Out pin2	Out pin3
0...6 to 0...600	15...1200	200...2400	PT54xx	PT53xx
Output function 4...20 mA, 1/4 NPT			Out pin2	Out pin3
0...6 to 0...600	15...1200	200...2400	PT24xx	-

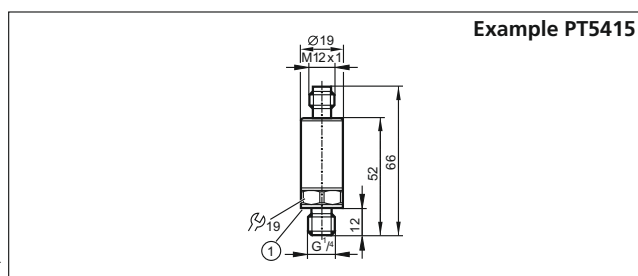
## Pressure sensors with display

Measuring range relative pressure [bar]	P <sub>overload</sub> max. [bar]	P <sub>burst</sub> min. [bar]	Order no.	Order no.
2 x NO/NC or 1x NO/NC + analogue, IO-Link, FKM seal			G 1/4	G 1/4 A
0...0.25 to 0...600	6...800	30...2500	PN207x PN209x PN216x	PN25xx
2 x NO/NC or 1x NO/NC + analogue, IO-Link, FKM seal			1/4 NPT	1/4 NPT A
0...6 to 0...600	15...1200	200...2400	PN227x PN229x	PN26xx
2 x NO/NC or 1x NO/NC + analogue, IO-Link, EPDM seal, ceramic measuring cell			G 1/4	G 1/4 A
0...1 to 0...250	20...500	50...1200	PE20xx	PE25xx

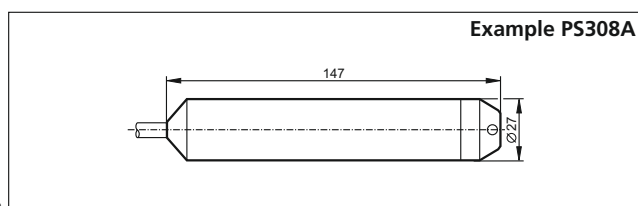
## Submersible pressure transmitters

Measuring range relative pressure [bar]	P <sub>overload</sub> max. [bar]	P <sub>burst</sub> min. [bar]	Order no.
Output function 4...20 mA, ATEX approval			
0...0.25 to 0...1	2	2.4	PS3xxA

## Dimensions



1) Seal



## Flow sensors

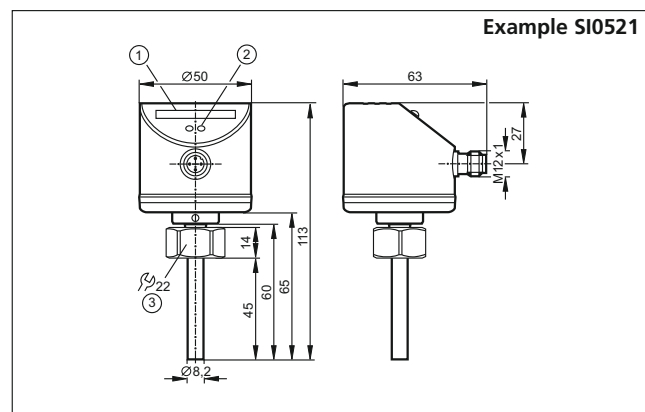
Setting range [cm/s]	Nominal length [mm]	Pressure rating [bar]	Order no.
Output function 2 x NO / NC PNP, M18 x 1.5			
3...300	45	300	SI0521

## Temperature transmitters

Nominal length [mm]	Process connection	Order no. Factory setting	
Output function 4...20 mA, scalable, IO-Link		-50...150 °C	0...100 °C
30...150	G 1/2	TA24x5	TA24x7
25...150	G 1/4	TA21x5	-
Output function 4...20 mA, scalable, IO-Link		0...300 °F	
30...150	1/2 NPT	TA23x3	-
25...150	1/4 NPT	TA26x3	-

## Level sensors

Process connection	Probe length [mm]	Order no.	
2 x NO/NC, IO-Link		Water	Oil
G 1/2	12	LMC100	LMC110
G 1/2	21	LMC400	LMC410
1/2 NPT	34	LMC500	LMC510



- 1) LED bar display
- 2) Set button
- 3) Tightening torque 25 Nm

