



Sensors for motion control

# Decentralised display, preprocessing and conversion of analogue signals



Pulse evaluation systems



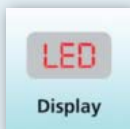
Mini display to monitor values

Compact design with  
protection rating IP 67

Parameter setting via IO-Link

Conversion of analogue  
measured values to an IO-Link  
communication

Conversion of IO-Link values to  
two analogue output signals



## Analogue signals at a glance

The compact connector unit DP2200 is simply inserted in the connection cable of analogue sensors (4...20 mA). It displays the measured values locally. The user can set a switch point or limit at which the transistor output switches.

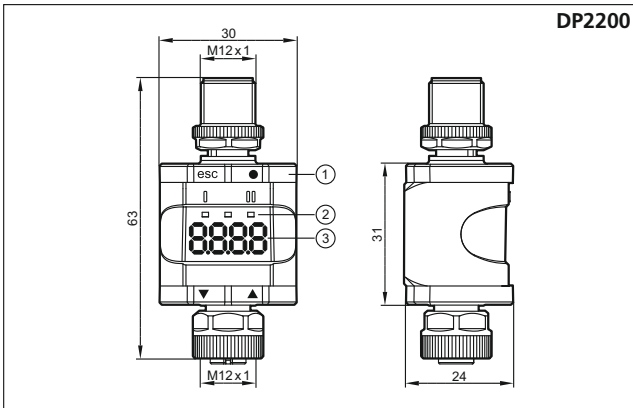
A colour change (red/green) of the display indicates this unmistakably. Critical process states or operational problems are reliably signalled.

## Converter for Industry 4.0

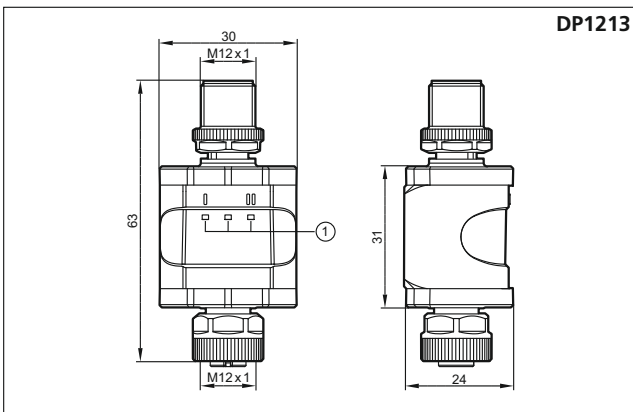
A special feature is the signal conversion: The threshold display DP2200 converts analogue signals to digital IO-Link signals. The DP1213 converter, on the contrary, allows for generation of two analogue 4...20 mA signals from IO-Link data.



## Dimensions

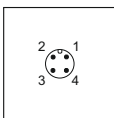


- 1) Push ring
- 2) LEDs
- 3) Display



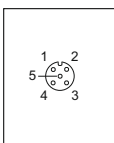
- 1) LEDs

## Wiring diagram DP2200



### M12: plug

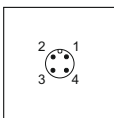
- Pin 1: L+ supply
- Pin 2: OUT2 analogue output
- Pin 3: L- supply
- Pin 4: OUT1 switching output 1 or IO-Link



### M12: socket

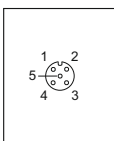
- Pin 1: L+ sensor supply
- Pin 2: 4...20 mA analogue input
- Pin 3: L- sensor supply
- Pin 4: not used
- Pin 5: not used

## Wiring diagram DP1213



### M12: plug

- Pin 1: L+
- Pin 2: not used
- Pin 3: L-
- Pin 4: C/Q IO-Link



### M12: socket




- Pin 1: L+
- Pin 2: 4...20 mA analogue output 2
- Pin 3: L-
- Pin 4: 4...20 mA analogue output 1
- Pin 5: not used

## Technical data

Threshold display		Order no. DP2200
Operating voltage	[V DC]	27 (typ. 24)
Inputs		1 x analogue, 4...20 mA
Outputs		1 x digital / IO-Link, normally open / closed programmable 1 x analogue, 4...20 mA
Display		7-segment LED display 4-digit red/green programmable
Output status indication	LED	yellow
Operation	LED	green
Protection		IP 67
Ambient temperature	[°C]	-25...70
Wiring		M12 connector

Converter IO-Link / 2 x 4...20 mA		Order no. DP1213
Operating voltage	[V DC]	18...30
Inputs		IO-Link
Analogue outputs		2 x 4...20 mA
Display		-
Current consumption	[mA]	300
Output status indication	LED	yellow
Operation	LED	green
Protection		IP 67
Ambient temperature	[°C]	-25...70
Wiring		M12 connector

## Accessories

Type	Description	Order no.
	Mounting clip	E89208
	USB IO-Link master for parameter setting and analysis of units Supported communication protocols: IO-Link (4.8, 38.4 and 230 kbits/s)	E30390
	LR DEVICE (supplied on USB flash drive) Software for online and offline parameter setting of IO-Link sensors and actuators	QA0011