



Process sensors

# Process values from IO-Link sensors at a glance



IO-Link master display



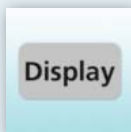
**Visualisation of all process values from the sensors connected to the master**

**Automatic search of the process values – plug & play**

**Your favourite view for four process values can be set**

**Setting of the IP address of the IO-Link master**

**Supports IO-Link masters from ifm with 4 and 8 ports**



## Process values at a glance

The display is an excellent choice for displaying process values for sensors which do not have a display, which are difficult to access or are not visible after installation caused by the application. This means that ideal measuring points can be used irrespective of the visualisation.

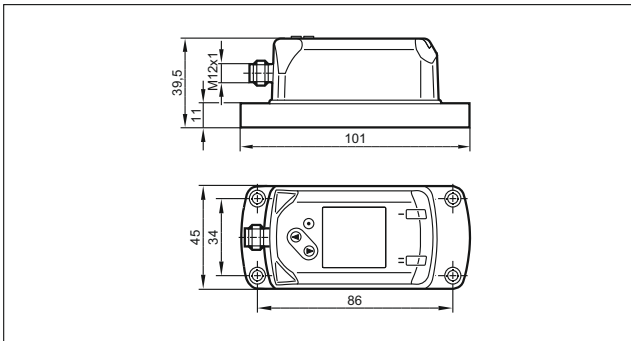
## Plug & play

The E30443 IO-Link master display is simply connected to one port of an ifm IO-Link master with 4 or 8 ports. The display detects sensors which are connected to the same master and automatically indicates the main process value of the first four ports.

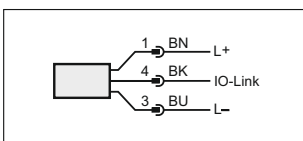
Each sensor and its process values can also be visualised individually by pushing a button. Furthermore a favourite view with the requested process values can be created. In addition the user can easily and reliably configure the display and the IP address of the master.



## Dimensions



## Wiring diagram




E30443

## Accessories

Type	Description	Order no.
	DIN rail clip, PA; stainless steel (304 / 1.4567)	<b>E30429</b>

## Connection technology

Type	Description	Order no.
	Jumper, M12, 1 m, black, PUR cable	<b>EVC042</b>
	Jumper, M12, 2 m, black, PUR cable	<b>EVC043</b>
	Jumper, M12, 3 m, black, PUR cable	<b>EVC102</b>
	Jumper, M12, 5 m, black, PUR cable	<b>EVC044</b>
	Jumper, M12, 10 m, black, PUR cable	<b>EVC493</b>

Resolution pixels	Display type	Display illumination	Order no.
-------------------	--------------	----------------------	-----------

**IO-Link master display · Connection to master**  
Display shows all process values from the sensors connected to the master

128 x 128      1.44" TFT      LED      **E30443**

## Other available IO-Link displays

Resolution pixels	Display type	Display illumination	Order no.
-------------------	--------------	----------------------	-----------

**IO-Link display · Connection to master**  
Assignment of the values displayed by the controller

128 x 128      1.44" TFT      LED      **E30391**

**IO-Link inline display · Connection between master and sensor**  
Visualisation of the values of the connected sensor

128 x 128      1.44" TFT      LED      **E30430**

## Technical data

IO-Link displays		
Operating voltage	[V DC]	18...30
Current consumption	[mA]	< 47
Protection rating/ protection class		IP 65, IP67 / III
Reverse polarity protection		•
<b>Communication interface</b>		
<b>IO-Link device</b>		
Type of transmission		COM2 (38.4 kbaud)
IO-Link revision		1.1
SDCI standard		IEC 61131-9
Ambient temperature	[°C]	0...60
EMC		EN 61000-6-2 EN 61000-6-4
Shock resistance	[g]	20 (11 ms)
Vibration resistance	[g]	20 (10...50 Hz)
Housing materials		stainless steel (303 / 1.4305); PC; PBT-GF 30; PPS; PA 6.6; FKM
Connection		M12 connection