



Connection technology

ecolink M12 – new Y splitters for special applications



Use in wet areas and in the
food and beverage industry



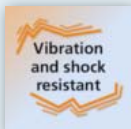
Halogen-free and silicone-free

Contoured nut with enhanced grip makes for optimum sealing even when hand tightened

The mechanical end stop protects the O-ring against destruction

Permanent vibration protection with saw tooth contour

LEDs clearly visible even under bright lighting



Vibration
and shock
resistant



IP 67
IP 68
IP 69 K



Operating
temperature
up to
100°C

ecolink M12 for hygienic and wet areas in the food industry

Most applications require special solutions. Only high-quality materials, safe production processes and faultless mounting lead to success in the long run.

The integrated end stop protects the O-ring against destruction caused by tightening the nut too much. Mounting and removal are carried out without tools.

The asymmetrically acting vibration protection holds the nut tight in its position, guaranteeing an optimum and permanent seal.

High-quality materials especially adapted to the application and intensive monitoring during and after production guarantee maximum quality standards.



Technical data:

Operating voltage: 60 V AC / DC
with LED: 10...36 V DC

Nominal current: 4 A

Protection: IP 65, IP 67, IP 68, IP 69K
In locked condition with the matching counterpart.

Tightening torque nut: 0.6...1.5 Nm
Note the maximum value of the counterpart.

Ambient temperature: -25...100 °C

Vibration / shock: 750 g, 1 million cycles

Materials:

Housing / moulded body: PP

Contact carrier: PA 6.6

Coupling nut: high-grade stainless steel
(316L / (1.4404))

Contacts: gold-plated

Sealing ring: EPDM

Cable: MPPE halogen-free, silicone-free,
4-pole: 4 x 0.34 mm², Ø 4.9 mm
5-pole: 5 x 0.34 mm², Ø 5.1 mm

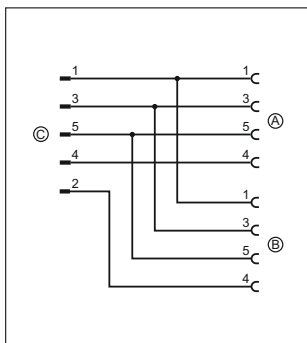
Approvals:

cCSAus in preparation

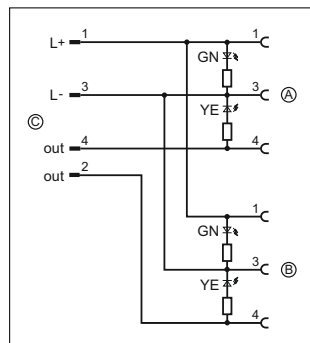
Applications:

Hygienic and wet areas in the food industry

Wiring diagram



Example EVF329



Example EVF335

The products

Type	Description	Order no.
1 x M12 male, 2 x M12 female		
	1.0 m	EVF329
	2.0 m	EVF330
	5.0 m	EVF331
	1.0 m	EVF332
	2.0 m	EVF333
	5.0 m	EVF334
	1.0 m, LED	EVF335
	2.0 m, LED	EVF336
	5.0 m, LED	EVF337

Dimensions

