



Process sensors

# All at sea?: Pressure, temperature and flow sensors with DNV-GL



Pressure, temperature and  
flow sensors



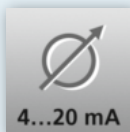
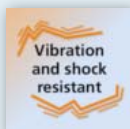
**DNV-GL approval for  
applications on ships**

**Pressure transmitter with  
analogue output 4...20 mA**

**Temperature transmitter with  
analogue output 4...20 mA and  
IO-Link**

**Flow sensor with programmable  
switching output**

**Submersible pressure  
transmitters with analogue  
output 4...20 mA and  
additional ATEX approval**



## Reliable also under extreme conditions

New DNV-GL approval means ifm's tried-and-tested fluid sensors can now also be used in maritime applications. The approved components help the user to overcome obstacles in ship and plant approval.

The sensors are distinguished by their compact and robust design and are therefore ideal for demanding applications, for example in hydraulics. Besides, ifm offers a 5-year warranty.



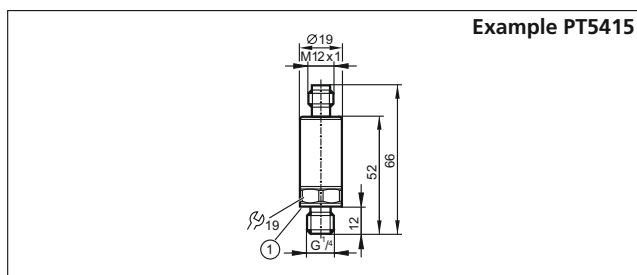
## Pressure transmitters

Measuring range relative pressure [bar]	P <sub>overload</sub> max. [bar]	P <sub>burst</sub> min. [bar]	Order no.	Order no.
Output function 4...20 mA, G 1/4			Out pin 2	Out pin 3
0...6	15	200	PT5415	PT5315
0...10	25	300	PT5404	PT5304
-1...10	25	300	PT5494	-
0...16	40	450	PT5414	PT5314
0...25	60	600	PT5403	PT5303
0...40	80	800	PT5443	PT5343
0...60	150	900	PT5423	PT5323
0...100	200	1000	PT5402	PT5302
0...160	320	1100	PT5412	PT5312
0...250	500	1200	PT5401	PT5301
0...400	800	1700	PT5400	PT5300
0...600	1200	2400	PT5460	PT5360

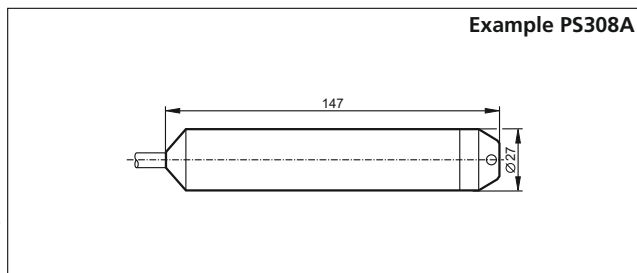
## Submersible pressure transmitters

Measuring range relative pressure [bar]	P <sub>overload</sub> max. [bar]	P <sub>burst</sub> min. [bar]	Order no.
Output function 4...20 mA, ATEX			
0...0.25	2	2.4	PS308A
0...0.6	4	4.8	PS307A
0...1	5	6	PS317A

## Dimensions



1) Seal

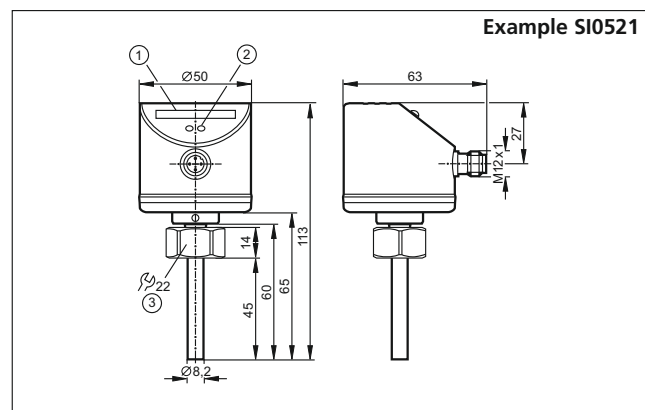


## Flow sensors

Nominal length [mm]	Pressure rating [bar]	Order no.
Output function 2 x NO / NC PNP, M18 x 1.5		
45	300	SI0521

## Temperature transmitters

Nominal length [mm]	Pressure rating [bar]	Order no. Factory setting
Output function 4...20 mA, scalable, IO-Link, G1/2		-50...150 °C
30	400	TA2405
50	300	TA2415
100	300	TA2435
150	300	TA2445
Output function 4...20 mA, scalable, IO-Link, G1/2		0...100 °C
50	300	TA2417
100	300	TA2437
150	300	TA2447
Output function 4...20 mA, scalable, IO-Link, G1/4		-50...150 °C
25	400	TA2105
50	400	TA2115
100	300	TA2135
150	300	TA2145



- 1) LED bar display
- 2) Set button
- 3) Tightening torque 25 Nm

