



Connection technology

ecolink M12 – T splitters for difficult applications



Use in wet areas and in the
food beverage industry



Halogen and silicone-free

**Connection technology meets
the M12 standard (EN 61076)**

**Optimum sealing even when
mounted without tools**

**The mechanical end stop
protects the O-ring against
destruction**

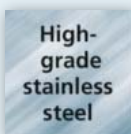
**Visible and tactile marking
of the ports**



Vibration
and shock
resistant



IP 67
IP 68
IP 69 K



High-
grade
stainless
steel

ecolink M12 for hygienic and wet areas in the food industry

Most applications require special solutions. Only high-quality materials, safe production processes and faultless mounting lead to success in the long run.

The integrated end stop protects the O-ring against destruction caused by tightening the nut too much. Mounting and removal are carried out without tools.

High-quality materials especially adapted to the application and intensive monitoring during and after production guarantee maximum quality standards.



Technical data

Operating voltage:
4-pole: 250 V AC / 300 V DC
5-pole: 60 V AC / DC

Nominal current: 4 A

Protection rating: IP 67, IP 68, IP 69K
in locked condition with the matching counterpart.

Tightening torque: 0.6...1.5 Nm

Ambient temperature: -25...100 °C

Materials:

Housing / moulded body: PA

Coupling nut (non-rotatable):
high-grade stainless steel (316L / 1.4404)

Contacts: gold-plated

Sealing ring: EPDM

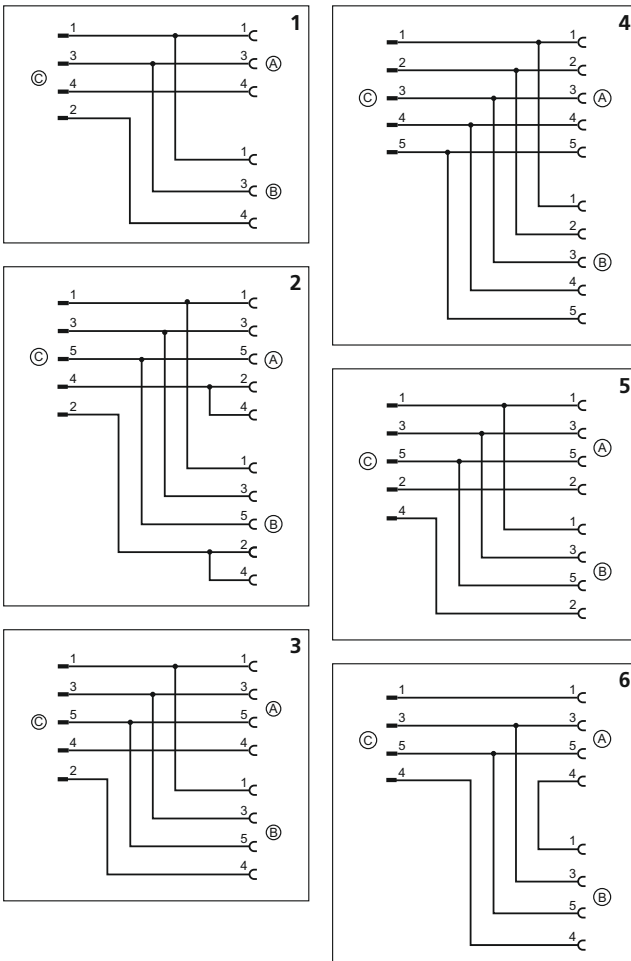
Approvals:

cRUUs in preparation

Applications:

For hygienic and wet areas
in the food industry

Wiring diagram



Products

Type	Wiring diagram no.	LED	Order no.
1 x M12 male, 2 x M12 female			
	1	–	EBF006
	2	–	EBF007
	3	–	EBF008
	4	–	EBF009
	5	–	EBF010
	6	–	EBF011

Dimensions

