



Power supplies

Powerful switched-mode power supply with an enormous power reserve



24 V DC switched-mode power supplies



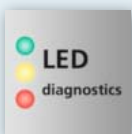
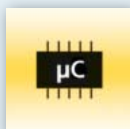
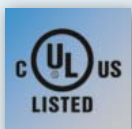
50 % power reserve for up to 4 seconds

AC wide-range input

Compact, slim design

High degree of efficiency of around 95 %

LEDs for OVL and DC OK output



Powerful

With 50 % power reserve for up to 4 seconds these power supplies provide sufficient power to cope with short current spikes even when operated at their limit.

Efficient

These power supplies are designed for great efficiency and reach a higher-than-average figure of around 95 %. This saves energy costs and reduces waste heat in the control cabinet.

Space-saving

Innovative technology means the new ifm power supplies require considerably less space in the panel, as compared to common cabinet power supplies.

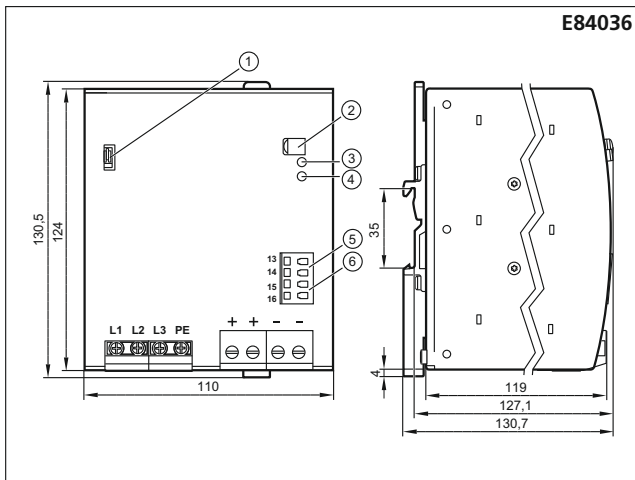
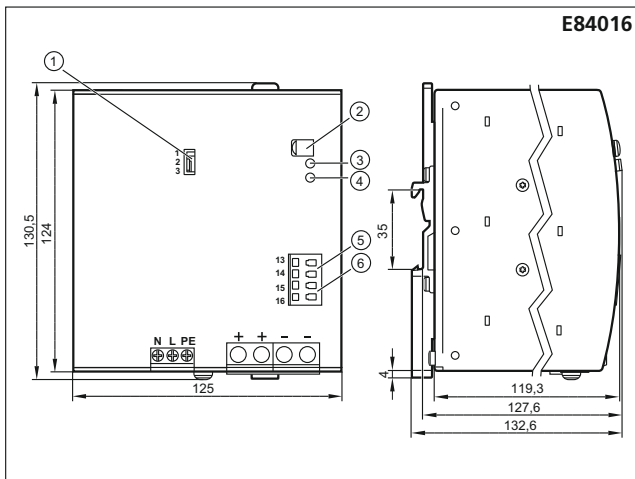


Output current permanent / peak at 24 V DC	Output voltage [V]	Input voltage [V AC]	Efficiency (120 / 230 V AC) [%]	Output DC OK signal	Order no.
--	--------------------	----------------------	---------------------------------	---------------------	-----------

24 V DC switched-mode power supplies for rail mounting

40 A / 60 A	24...28 DC; adjustable	100...240	93.6 / 94.6	Relay	E84016
40 A / 60 A	24...28 DC; adjustable	3 x 380...480	Relay	E84036	

Dimensions



- 1) Jumper "individual / parallel operation"
- 2) Potentiometer 24...28 V DC
- 3) LED DC OK
- 4) LED overload
- 5) Terminals DC OK signal
- 6) Terminal shut-down input

Further technical data

Output power / peak	[W]	960 / 1440
Frequency range	[Hz]	47...64
Protection		IP 20
Short-circuit proof		•
Overload protection		•
Ambient temperature	[°C]	-25...70
Display LED		1 x DC OK 1 x overload
Shut-down		Controlled switch-off of the output voltage

Functions and advantages

Power reserve

These power supplies provide an excellent power reserve of 50 percent for up to four seconds to cope with short current loads.

Inrush current limitation

Instead of an inrush current limitation with a simple NTC element, charging the capacitors of the new ifm switched-mode power supplies is microprocessor-controlled. This allows the selectivity of fuses protecting the inputs on the primary side and saves wiring costs.

Long bridging times

The voltage supply is ensured for several milliseconds if the mains voltage briefly fails, e.g. caused by switching operations in the supply network.

Wide operating temperature range

ifm switched-mode power supplies provide the specific nominal power across the entire temperature range. Derating only has to be taken into account above an operating temperature of 60 °C.

Double terminal

All 24 V switched-mode power supplies are equipped with double terminals. This simplifies wiring and provides more clarity in the control cabinet.