



Position sensors

Small target, big range – better solutions with magnetic sensors



Accessories for magnetic sensors



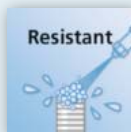
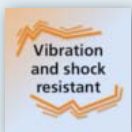
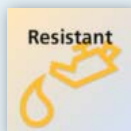
Easy fit with thread or countersink

Simplified mounting

Compact targets with long sensing ranges up to 55 mm

Increased process safety – conceal behind stainless steel for zero visibility

Stable signals even under vibration



Easy solutions for difficult applications

In special applications, the ifm magnetic sensors with these new targets offer long sensing ranges where other technologies reach their limits. In challenging applications, the combination of magnetic sensor and target can maximise performance.





Restricted space

New magnets with a small design offer easier mounting options in a machine, even where space is restricted, due to countersinks or a thread. Due to the new targets it is possible to double the M12 sensors' range while an enlargement of clear space between sensor and magnet provides a more flexible installation as well as an increased process safety.







Designation	Drill hole diameter [Ø mm]	External diameter [Ø mm]	Material	Sn at MFS211 [mm]	T _a [°C]	Order no.
Ring magnet						
M3.2	3.5	13	Barium ferrite	24	-40...200	E12537
M6.0	3.5	12	Neodymium	21	-40...80	E12538
M6.1	5.5	24	Neodymium	55	-40...80	E12539
Threaded magnet						
M7.0	–	Width across flats 10, hexagonal nut	Neodymium, tin-plated	15	-40...80	E12540
M7.1	–	12	Neodymium, plastics	31	-40...60	E12541







Accessories

Type	Description	Order no.
	Angle bracket for type M12, stainless steel	E10735
	Angle bracket for type M18, stainless steel	E10736
	Mounting clamp, with end stop for types M12	E11047
	Mounting clamp, with end stop for types M18	E11048

Connection technology

Type	Description	Order no.
	Socket, M12, 4-pole, 2 m black, PUR cable	EVC001
	Socket, M12, 4-pole, 5 m black, PUR cable	EVC002
	Socket, M8, 3-pole, 5 m orange, PVC cable	EVT123
	Socket, M8, 3-pole, 10 m orange, PVC cable	EVT124

Sensors

Type	Description	Order no.
	Magnetic sensor, plastics 28 x 10 x 16 / NO	MS5010
	Magnetic sensor, plastics 28 x 10 x 16 / NO	MS5011
	Magnetic sensor, stainless steel M12 x 60 mm / NC	MFS210
	Magnetic sensor, stainless steel M12 x 60 mm / NO	MFS211
	Magnetic sensor, stainless steel M18 x 60 mm / NO	MGS204
	Magnetic sensor, stainless steel M18 x 60 mm / NC	MGS206

Sensors in combination with a magnet

Type	Sensing range [mm]				
	M3.2	M6.0	M6.1	M7.0	M7.1
MGS20...	25	28	55	20	38
MS50...	20	25	50	15	31
MFS2...	20	25	50	15	31

Further magnets

Type	Description	Order no.
	Damping element M3.0, Ø 20 mm, barium ferrite	E10751
	Damping element M5.0, Ø 35 mm, barium ferrite	E10753
	Damping element M4.1, Ø 40 mm, barium ferrite / stainless steel (1.4571 / 316Ti)	E11803
	Damping element M3.1, Ø 20 mm, barium ferrite / stainless steel (1.4571 / 316Ti)	E12291