



IO-Link

IO-Link device: actuator switching via IO-Link



IO-Link devices



Decentralised switching of digital outputs via IO-Link

Adds 12 digital outputs to an IO-Link master module

For use in industrial applications plus new variant for hygienic areas

Two electrically isolated and individually switchable voltage supplies

Output current up to 1.8 A



Switching of decentralised outputs via IO-Link

The new IO-Link output module provides an easy and cost-effective way to add powerful digital outputs to ifm's IO-Link master module for field use. Typical tasks include decentralised switching of loads and actuators.

Applications

The module is available in two designs: The orange field module of the coolant series is resistant to oils and coolants and suited for general industrial applications.

The grey module is ideally suited for hygienic and food applications due to the material used for the housing. It has the high protection rating IP 68 / IP 69K.



Powerful outputs

The unit features six M12 ports with two digital outputs each. The outputs have full overload and short-circuit protection.

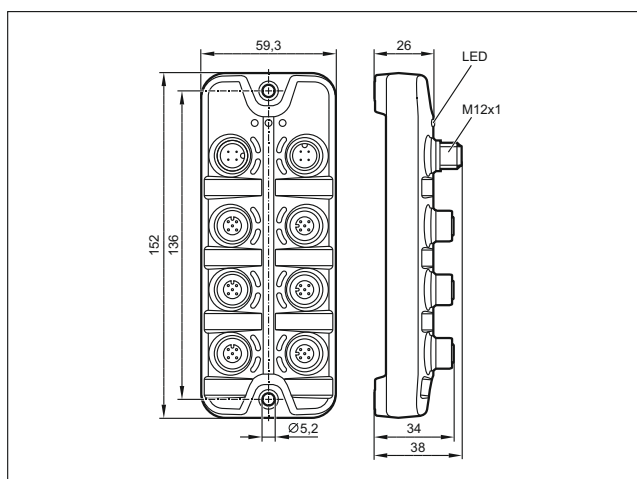
They are supplied from two independent, electrically isolated voltage sources. The three left-hand M12 sockets are supplied via pins 1 and 3 of the supply connector and the three right-hand M12 sockets via pins 2 and 4.

Both voltage supplies can be loaded with max. 1.8 A. The output current is distributed to the outputs according to the connected loads and is limited to 1.8 A total current per channel.

Thanks to the two separate voltage supplies, critical outputs can be switched off selectively by higher-level switching modules without affecting the outputs in the other electric circuit.

In addition, IO-Link allows an in-depth fault analysis.

Dimensions



Products

Description	Order no.
Active IO-Link output module, 6 x 2 outputs Hygienic and food applications	
IO-Link device V1.1, separate voltage supply 2 x Uaux, M12 connector, O-ring, stainless steel thread, IP 68 / IP 69K	AL2230
Active IO-Link output module, 6 x 2 outputs Oils and coolants	
IO-Link device V1.1, separate voltage supply 2 x Uaux, M12 connector, O-ring, nickel-plated brass thread, IP 67	AL2330

Accessories

Type	Description	Order no.
	IO-Link master with Profinet interface	AL1100
	USB IO-Link master for parameter setting and analysis of units Supported communication protocols: IO-Link (4.8, 38.4 and 230 Kbits/s)	E30390
	LR DEVICE (supplied on USB flash drive) Software for online and offline parameter setting of IO-Link sensors and actuators	QA0011

Connection technology

Description	Order no.
	EVC717
	EVC719